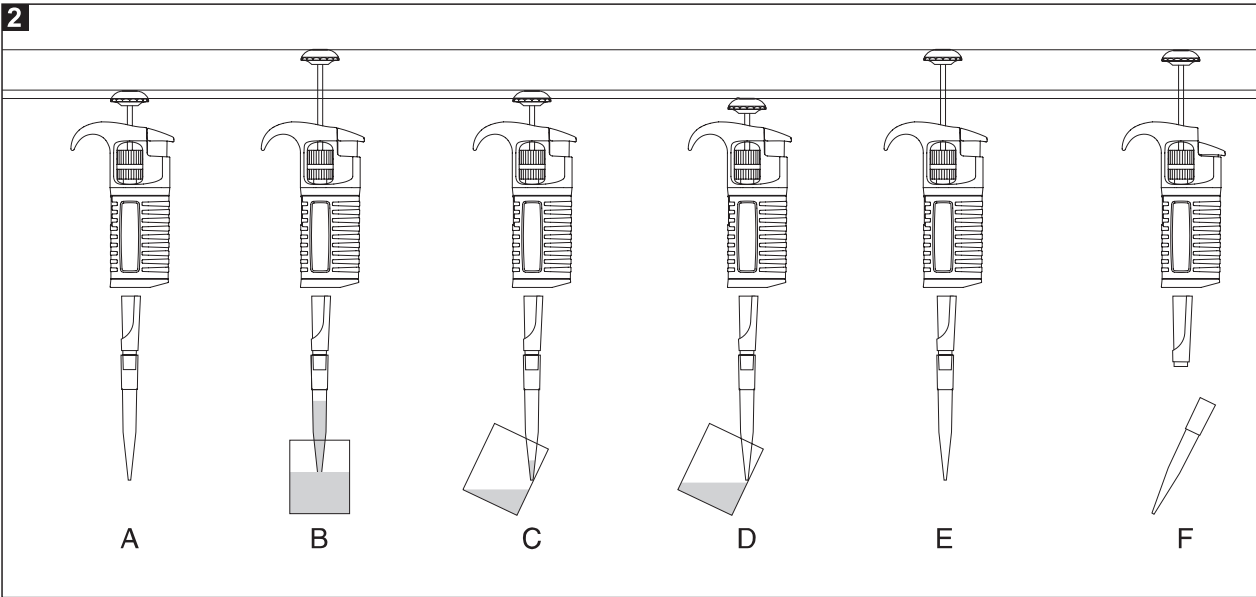
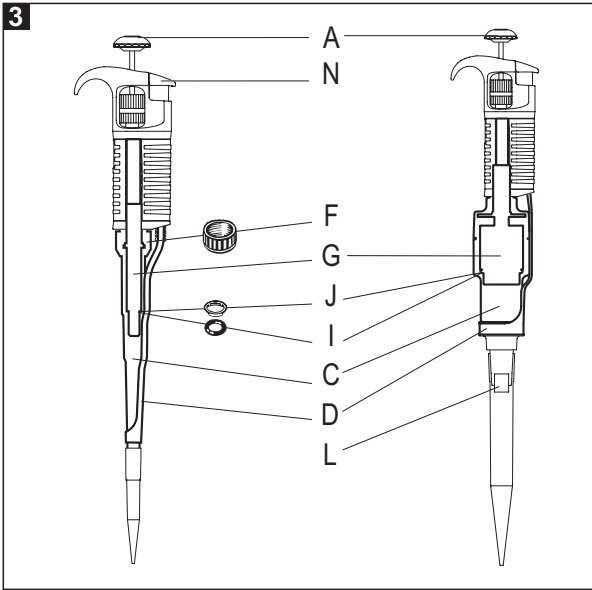
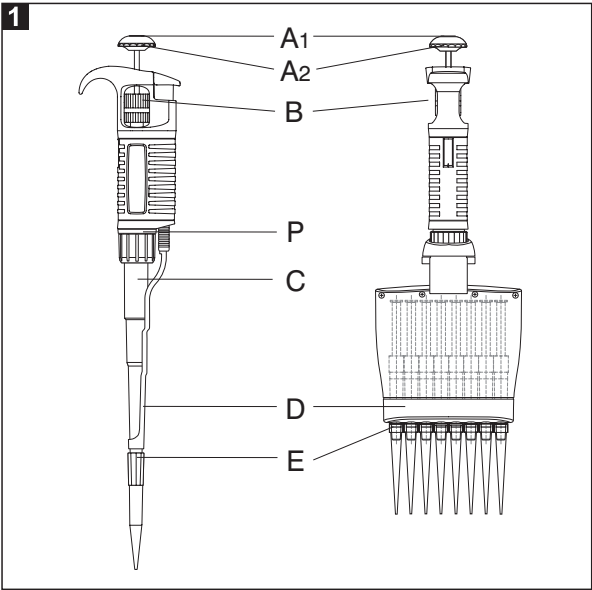
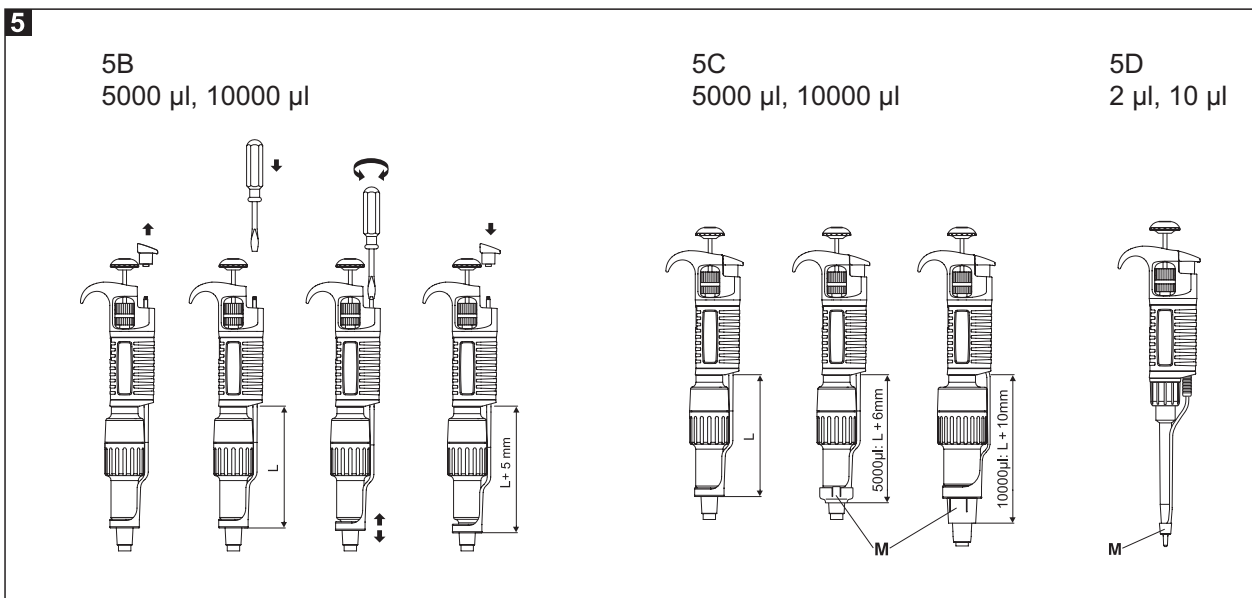
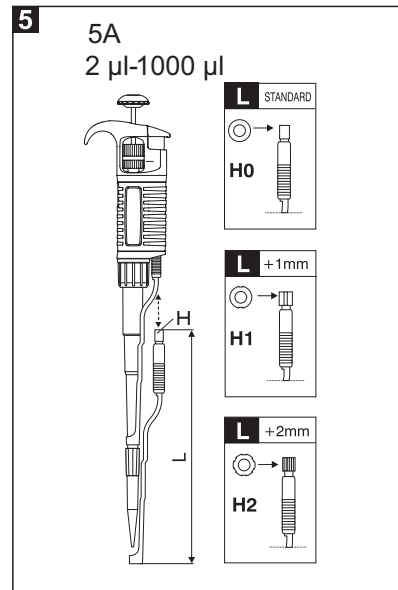
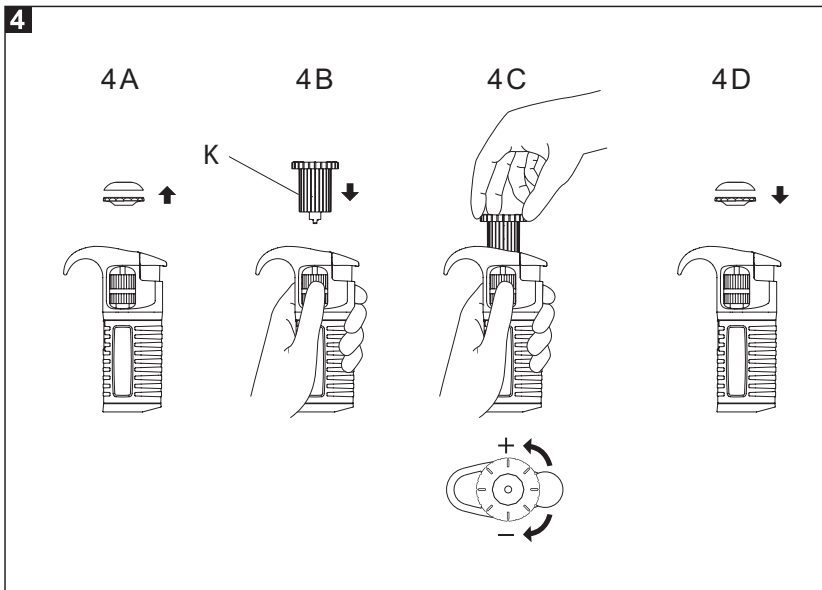


Assist series pipettes

ENGLISH	6 – 23
DEUTSCH	24 – 41
FRANÇAIS	42 – 59
ESPAÑOL	60 – 77
PORTUGUÊS	78 – 93
ITALIANO	94 – 109
РУССКИЙ	110 – 127







CONTENTS

- 1 – INTRODUCTION
- 2 – SETTING THE VOLUME
- 3 – ASPIRATING AND DISPENSING LIQUIDS
- 4 – PRE-RINSING
- 5 – DENSE AND VISCOUS LIQUIDS
- 6 – PIPETTE TIPS
- 7 – RECOMMENDATIONS
- 8 – RECALIBRATION
- 9 – TROUBLESHOOTING
- 10 – CLEANING AND STERILIZATION
- 11 – PIPETTE KIT AND ACCESSORIES
- 12 – SPARE PARTS

1 – INTRODUCTION

The **Assist** pipette is a volumetric instrument designed to measure and transfer liquids precisely and safely. It can accommodate volumes from 0.1 µl to 10,000 µl depending on the model.

The multichannel pipettes have been designed for the filling of laboratory microplates. The pipettes enable precise and simultaneous delivery of 8 or 12 preset-volume doses of liquid. The multichannel pipettes are produced in four ranges of volumes: 0,5-10 µl, 5-50 µl, 20-200 µl, 50-300 µl.

All **Assist** pipettes feature a analog counter which shows the pipetting volume. The set volume is visible in the window on the handle. Volumes are set by either turning the pipetting pushbutton (Fig. 1A2) or the adjustment knob (Fig. 1B) in the appropriate direction.

Liquids are aspirated into disposable tips attached to the pipette shaft. Disposable tips ensure maximum safety and eliminate the possibility of crosscontamination of the liquid samples.

To protect the user from contaminated tips, the **Assist** pipette is equipped with a built-in tip ejector, (Fig. 1D).

The construction of the ejector enables the user to set up the length. The adjustable tip ejector accommodates every variety of tips available on the market. When using narrow tubes, it may be necessary to remove the tip ejector. It is simply removed by pulling down.

Single channel pipette's ejector

Adjusting of the Tip Ejector Length

- in 2-1,000 µl pipettes (Fig. 5A):

The regulated "H" spacers, allow for regulating the length of tip ejector by +1 mm or +2 mm. An "H0" spacer is inserted on a standard basis.

- in 5,000 and 10,000 µl pipettes (Fig. 5B):

The length of tip ejector is adjusted by screwing in or screwing out the tip ejector rod with a small screwdriver. Turn the screwdriver counter clockwise to increase the length of tip ejector, and clockwise to reduce the length of tip ejector. The ejector can be adjusted by up to 5 mm.

If the ejector adjustment described above is not sufficient or the diameter of the ejector opening is too large to eject the tip it will be necessary to put the ejector cap "M" onto the ejector, (Fig. 5C).

- in 2 and 10 µl pipettes (Fig. 5D)

The 2 µl - 10 µl pipettes may require the use of an ejector cap „M” to efficiently eject certain brands of pipette tips. Simply place the cap, supplied with the pipette, on the bottom of the pipette shaft and slide the cap upwards until it surrounds the bottom of the tip ejector.

Multichannel pipette's ejector

The multichannel pipette construction allows to rotate the multichannel module and to eject the tips through 360°, therefore, the most convenient position may be selected to fill the microplates. It is recommended to turn the module clockwise. Due to the long stroke of the ejector in the multichannel pipette, the adjustment of its length is not necessary.

The **Assist** pipette is a high quality instrument which offers excellent accuracy and precision.

The accuracy and precision (repeatability) of liquid volume depends on the quality of tips used. The values for accuracy and precision shown in the table below were obtained using compatible tips. Only these tips guarantee correct operation of the pipettes and ensure accuracy and precision of liquid sampling.

The single channel pipettes

Model	Volume [µl]	Accuracy [%]	Precision [%]
AP2	0.2	± 12.0	± 6.0
	1.0	± 2.7	± 1.3
	Max 2.0	± 1.5	± 0.7
AP10	Min 0.5	± 4.0	± 2.8
	5.0	± 1.0	± 0.6
	Max 10.0	± 0.5	± 0.4
AP20	Min 2	± 3.0	± 1.5
	10	± 1.0	± 0.5
	Max 20	± 0.8	± 0.3
AP50	Min 5	± 2.5	± 2.0
	25	± 1.0	± 0.6
	Max 50	± 0.8	± 0.4
AP100	Min 10	± 1.6	± 0.80
	50	± 0.8	± 0.24
	Max 100	± 0.8	± 0.20
AP200	Min 20	± 1.2	± 0.60
	100	± 0.8	± 0.25
	Max 200	± 0.6	± 0.20
AP250	Min 50	± 1.0	± 0.4
	125	± 0.8	± 0.3
	Max 250	± 0.6	± 0.3

Model	Volume [µl]	Accuracy [%]	Precision [%]
AP1000	Min 100	± 1.6	± 0.40
	500	± 0.7	± 0.20
	Max 1,000	± 0.6	± 0.15
AP5000	Min 500	± 1.2	± 0.50
	2,500	± 0.6	± 0.20
	Max 5,000	± 0.5	± 0.15
AP10000	Min 1,000	± 2.5	± 0.6
	5000	± 0.8	± 0.3
	Max 10,000	± 0.5	± 0.2

The multichannel pipettes

Model	Volume [µl]	Accuracy [%]	Precision [%]
AP8-10	Min 0.5	±10.0	± 8.0
	Max 5	±4.0	± 2.0
AP12-10	Min 10	±2.0	± 1.2
	Max 5	±4.0	± 2.5
AP8-50	Min 25	±3.0	± 1.2
	Max 50	±1.6	± 0.6
AP8-200	Min 20	±3.0	± 1.5
	Max 100	±1.5	± 0.8
AP12-200	Min 200	±1.0	± 0.6
	Max 50	±1.6	± 1.5
AP8-300	Min 150	±1.2	± 1.0
	Max 300	±1.0	± 0.6

The accuracy and precision are obtained gravimetrically using compatible tips, performing at least 10 measurements of distilled water at a temperature of 20±1°C, according to EN ISO 8655 standard.

The design enables the user to recalibrate the pipette themselves according to the rules described in section 8.

2 – SETTING THE VOLUME

Setting the volume of the aspirated liquid can be done either using the pipetting pushbutton (Fig. 1A2) or by the adjustment knob (Fig. 1B). The volume display shown by the counter has three digits. These should be read from top to bottom. The lowest counter dial shows a scale which allows volume setting in the minimum graduation range. Examples of the black and red digits:

The single channel pipettes

Model	Counter Readings	Set Volume	Basic Degree			
AP2	<table border="1"><tr><td>1</td></tr><tr><td>2</td></tr><tr><td>5</td></tr></table>	1	2	5	1.25 µl	0.002 µl
1						
2						
5						
AP10	<table border="1"><tr><td>0</td></tr><tr><td>7</td></tr><tr><td>5</td></tr></table>	0	7	5	7.5 µl	0.02 µl
0						
7						
5						
AP20	<table border="1"><tr><td>1</td></tr><tr><td>2</td></tr><tr><td>5</td></tr></table>	1	2	5	12.5 µl	0.02 µl
1						
2						
5						
AP100	<table border="1"><tr><td>0</td></tr><tr><td>7</td></tr><tr><td>5</td></tr></table>	0	7	5	75 µl	0.2 µl
0						
7						
5						
AP200	<table border="1"><tr><td>1</td></tr><tr><td>2</td></tr><tr><td>5</td></tr></table>	1	2	5	125 µl	0.2 µl
1						
2						
5						
AP1000	<table border="1"><tr><td>0</td></tr><tr><td>7</td></tr><tr><td>5</td></tr></table>	0	7	5	0.75 ml	2 µl
0						
7						
5						
AP5000	<table border="1"><tr><td>1</td></tr><tr><td>2</td></tr><tr><td>5</td></tr></table>	1	2	5	1.25 ml	10 µl
1						
2						
5						
AP10000	<table border="1"><tr><td>0</td></tr><tr><td>7</td></tr><tr><td>5</td></tr></table>	0	7	5	7.5 ml	20 µl
0						
7						
5						

The multichannel pipettes

Model	Counter Readings	Set Volume	Basic Degree			
AP8-10 AP12-10	<table border="1"><tr><td>0</td></tr><tr><td>3</td></tr><tr><td>5</td></tr></table>	0	3	5	3.5 µl	0.02 µl
0						
3						
5						
AP8-50 AP12-50	<table border="1"><tr><td>0</td></tr><tr><td>6</td></tr><tr><td>5</td></tr></table>	0	6	5	6.5 µl	0.10 µl
0						
6						
5						
AP8-200 AP12-200	<table border="1"><tr><td>0</td></tr><tr><td>8</td></tr><tr><td>5</td></tr></table>	0	8	5	85.0 µl	0.20 µl
0						
8						
5						
AP8-300 AP12-300	<table border="1"><tr><td>2</td></tr><tr><td>5</td></tr><tr><td>0</td></tr></table>	2	5	0	250.0 µl	1.0 µl
2						
5						
0						

To attain the maximum accuracy, set volume must be approached from a higher value.

If the desired value is lower than the previous value, simply adjust the value down to 1/3 turn above the required setting.

If the desired value is higher than the previous value, adjust the value to 1/3 turn above the required value. The setting should then be performed in the following manner:

Slowly turn the pipetting pushbutton knob or the black adjustment knob to the required volume.

If the knob is accidentally turned too far, below the required value, the process must be repeated.

3 – ASPIRATING AND DISPENSING LIQUIDS

The single channel pipettes

Place a tip on the shaft of the pipette. See Section 6 for the appropriate tip. Press the tip on firmly using a slight twisting motion. This will ensure an airtight seal.

The multichannel pipettes

In order to put tips on the multichannel shafts hold the pipette vertically and press it against the tips in the rack box, until the shafts retract about 1.5 mm into the multichannel module. The suspension system of the shafts ensures even and tight sealing of tips. The rocking movement does not have to be performed to seal the tips tightly.

Important: Never aspirate liquids into the Assist pipette without a tip attached.

Aspiration

Press the pushbutton to the first positive stop, (Fig. 2A). Holding the pipette vertically, immerse the tip into the sample liquid. The depth to which the tip is immersed in the sample liquid depends on the model.

Model	Immersion depth [mm]
AP2	≤ 1
AP10	≤ 1
AP20, AP50, AP100	2 - 3
AP200, AP250, AP1000	2 - 3
AP5000	3 - 6
AP10000	5 - 7

Release the pushbutton slowly and smoothly to aspirate the sample, (Fig. 2B). Wait one second and then withdraw the tip from the liquid. If the pipette tip is not immersed to the recommended depth or if the pipetting pushbutton is rapidly released, air may enter the disposable tip.

Avoid touching the opening of the tip.

Dispensing:

- Place the end of the tip against the inside wall of the vessel at an angle of 10° to 40°.
- Press the pushbutton smoothly to the first stop, (Fig. 2C). Wait one second.
- Press the pushbutton to the second stop to expel any remaining liquid, (Fig. 2D).
- Keeping the pushbutton depressed to the very end, remove the pipette by drawing the tip against the inside surface of the receiving vessel.
- Release the pushbutton to its starting position, (Fig. 2E).
- Eject the tip by pressing the tip ejector button, (Fig. 2F). Remember to change the tip whenever a different kind of liquid is to be sampled.

Filters

A replaceable filter, fitted in a seat in the bottom part of the shaft, is used in 5,000 µl and 10,000 µl pipettes (Fig. 3L). This filter prevents the aspirated liquid from entering into the shaft and thus from contaminating the inside of the shaft and the piston. Using the filter is particularly important when aspirating and dispensing large volumes of liquid.

If the filter becomes wet during liquid aspiration it should be replaced with a new one.

4 – PRE-RINSING

When pipetting liquids of higher viscosity or lower surface tension than water (e.g. sera or organic solvents), a film of liquid is formed on the inside wall of the pipette tip. This film can create an error. As the film remains relatively constant in successive pipetting operations with the same tip, this error can be eliminated by forming the film before transferring the first sample. This is done by aspirating a sample and dispensing it back into the same vessel. Now, as the film is already formed, all of the following samples will have better accuracy and repeatability.

This pre-rinsing operation should be repeated when the volume to be aspirated is changed or when a new tip is used.

5 – DENSE AND VISCOUS LIQUIDS

Assist pipette specifications of accuracy and precision are based on pipetting distilled water. Handling of liquids with physical qualities of density, viscosity and surface tension

which differ substantially from water may need gravimetrically checked compensation of the volume setting. Normally the degree of error resulting from heavy or viscous liquids is negligible if pipetting is done slowly and carefully. It is most important to give the liquids some time to react to the change of pressure by holding the pipette tip in its position for at least 2 sec. after the aspiration and the blow out stroke.

If in extreme cases, this method of operation does not result in accurate values, a compensation may be achieved as follows: Weigh the liquid pipetted when the **Assist** pipette is set to the nominal value. Then calculate the set-off from the nominal value:

$$\text{Correction, value} = 2 \times \text{nominal val.} \frac{m}{\gamma}$$

m – weight of the sample
γ – density of liquid

Check this operation once again and correct if necessary. Note the corrected value for further pipetting of the same kind of liquid.

6 – PIPETTE TIPS

Our recommended tips are made from high performance polypropylene and their quality guarantees the precision and accuracy associated with the **Assist** pipette. Strict control is maintained throughout the manufacturing process to ensure the highest quality.

The accuracy and precision figures for the **Assist** pipette are only guaranteed when our recommended tips are used. The use of inferior quality tips will seriously degrade the performance of the **Assist** pipette.

Tips 10

These tips are used for volumes between 0.1 µl and 10 µl. They are used with the AP2, AP10, AP8-10 & AP12-10 models.

Tips 200

These tips are used for volumes between 2 µl and 200 µl. They are used with the AP20, AP50, AP100, AP200, AP8-50, AP12-50, AP8-200 and AP12-200 models.

Tips 300

These tips are used for volumes between 50 µl and 300 µl. They are used with the AP250, AP8-300 and AP12-300 models.

Tips 1,000

These tips are used for volumes between 100 µl and 1,000 µl. They are used with the AP1000 model.

Tips 5,000

These tips are used for volumes between 500 µl and 5,000 µl. They are used with the AP5000 model.

Tips 10000

These tips are used for volumes between 1,000 and 10,000 µl. They are used with the AP10000 model.

7 - RECOMMENDATIONS

Observing the following recommendations will ensure maximum possible accuracy and precision of liquid sampling.

- Make sure to operate the **Assist** pipette slowly and smoothly.
- The depth of immersion in the sample liquid should be the minimum necessary and should remain constant during aspiration.
- The **Assist** pipette should be held in a vertical position.
- Change the tip when volume setting is changed or when a different liquid is to be aspirated.
- Change the tip if a droplet remains on the end of the tip from the previous pipetting operation.
- Each new tip should be pre-rinsed with the liquid to be pipetted.
- Liquid should never enter the **Assist** pipette shaft. To prevent this:
 - Press and release the pushbutton slowly and smoothly.
 - Never turn the pipette upside down.
 - Never lay the pipette on its side when there is liquid in the tip.
- Never force the volume setting beyond its recommended limits.
- When pipetting liquids with temperatures different from the ambient temperature, it is recommended to pre-rinse the tip several times before use.
- Do not pipette liquids with temperatures above 70°C.
- When pipetting acids or corrosive solutions which emit vapours, it is recommended to disassemble the shaft and rinse the piston and seal with distilled water after finishing the pipetting operation.

8 – RECALIBRATION

Pipettes are calibrated by gravimetrically, using our recommended tips and distilled water, at a temperature of 20±1°C, according to EN ISO 8655 standard.

If during pipette operation you find that the accuracy error (the difference between the real aspirated volume and the preset volume) exceeds the permissible value given in the table in section 1, the pipette recalibration procedure should be carried out.

Before starting the recalibration it is necessary to check whether the following requirements have been met during error determination:

- the ambient temperature, and the temperature of the pipette, tips and water was identical
- the density of the liquid used is close to that of distilled water
- a balance with appropriate sensitivity has been used.

Volume checked [µl]	Balance sensitivity [mg]
0.1 - 10	≤0.001
10 - 100	≤0.01
>100	≤0.1

- mg/µl conversion factor has been taken into account
- the requirements shown in sections 3 and 7 have been met

If the above conditions are satisfied and the accuracy error for selected volume given in section 1 exceeds the permissible value, the pipette recalibration procedure should be carried out.

The recalibration can be performed within one full turn of the key to the right or to the left only.

Recalibration conditions:

Ambient temperature, the temperature of the pipette, tips and liquid should be within the range 20-25°C and stabilised during weighing within ±0.5°C

- Measurements should be conducted using distilled water
- Balance sensitivity should be suitable for the volume to be measured

Recalibration procedure:

- Set the dose volume depending on the pipette volume according to the following table:

The single channel pipettes

Model	Range of the pipette volumes [μl]	Preset volume [μl]	Permissible volumes [μl]	Volume change
				ΔV for full turn of the calibration key [μl] (24 increments)
AP2	0.1 - 2	0.2	0.176 - 0.224	0.06
AP10	0.5 - 10	0.5	0.48 - 0.52	0.33
AP20	2 - 20	2	1.94 - 2.06	0.63
AP50	5 - 50	5	4.875 - 5.125	2.50
AP100	10 - 100	10	9.84 - 10.16	2.50
AP200	20 - 200	20	19.76 - 20.24	6.30
AP250	50 - 250	50	49.5 - 50.5	6.30
AP1000	100 - 1000	100	98.4 - 101.6	25.00
AP5000	500 - 5,000	500	494 - 506	125.00
AP10000	1,000 - 10,000	1,000	975 - 1,025	250.00

The multichannel pipettes

Model	Range of the pipette volumes [μl]	Preset volume [μl]	Permissible volumes [μl]	Volume change
				ΔV for full turn of the calibration key [μl] (24 increments)
AP8-10 AP12-10	0.5 - 10	0.5	0.45 - 0.55	0.33
AP8-50 AP12-50	5 - 50	5	4.8 - 5.2	1.67
AP8-200 AP12-200	20 - 200	20	19.4 - 20.6	6.30
AP8-300 AP12-300	50 - 300	50	49.2 - 50.8	10.00

- Perform 5 aspirations, weigh each one and calculate the average value of the aspirations
- Perform three aspiration series (each series should include the aspirations from all channels), weigh each time and calculate the average value of the aspirations.
- Calculate average aspirated volume in μl multiplying the average aspiration amount [mg] by the distilled water density coefficient [μl/mg], which depends on temperature and pressure according to the following table:

Temperature [°C]	Pressure [kPa]		
	95.0	101.3	105.0
20	1.0028	1.0029	1.0029
21	1.0030	1.0031	1.0031
22	1.0032	1.0033	1.0033
23	1.0034	1.0035	1.0036
24	1.0037	1.0038	1.0038
25	1.0039	1.0040	1.0040

If the average aspirated volume exceeds the permissible value, the following should be done:

- Remove the pipetting pushbutton, (Fig. 4A),

Warning: The pipetting pushbutton consists of 2 parts: the lower volume-setting section (Fig. 1A2) and the upperbutton (Fig. 1A1). After removal of the pushbutton, both parts will separate.

- Holding the volume setting knob to protect it against rotation, insert the calibration key into the cuts of the calibration screw, (Fig. 4B),
- Turn the key clockwise to reduce the aspirated volume, or counter-clockwise to increase the volume. One full turn of the calibration key changes the pipette aspiration volume by the amount given in the table, (Fig. 4C),
- Take out the key and fix the pipetting pushbutton (Fig. 4D). The pipetting pushbutton should be fixed by placing the lower section on the arbor first (Fig. 1A2) and then the button (Fig. 1A1).

Determine the average aspirated volume. The average volume should be within the permissible range shown in the table. If the volume exceeds the values stated, the recalibration procedure should be repeated.

When pipetting liquids with physical properties considerably different from those of water, follow the rules as described in section 5.

9 – TROUBLESHOOTING

If you notice an improper pipette operation identify the cause and eliminate the fault. To do this, follow the instruction accordingly. Replacement of parts should be required only occasionally, and should not occur under normal pipette use.

Problem	Cause	Solution
Droplets of liquid remain in the pipette tip.	The pipette tip is emptied too fast.	Decrease the speed of pressing the pipette pushbutton.
	The tip wettability has increased due to extensive use.	Replace the tip with a new one.
Droplets of air appear in the liquid aspirated into the tip.	The pipette tip immersion is too shallow.	Immerse the tip deeper according to the instructions.
	The pipette tip is incorrectly pressed onto the pipette shaft.	Press the pipette tip firmly.
The pipette incorrectly aspirates the liquid or liquid drops out from the tip.	The tip is damaged or worn out due to extensive use.	Replace the tip with a new one.
	The pipette tip is incorrectly pressed onto the pipette shaft.	Press the pipette tip firmly.
	The shaft nut is loose (Fig. 3F) in the models 2 - 1000	Tighten the shaft nut.
	The sealing surface of the shaft is cracked or scored.	Remove the tip ejector. Unscrew the shaft nut, inspect the shaft and the piston assembly. Replace the damaged parts (see Section 12). When reassembling the pipette, the nut should be hand tightened. In the models AP2, AP10 and AP20, the damage of the shaft may also cause a damage of the piston assembly. Replace the damaged parts (see Section 12). When reassembling the pipette, the nut should be hand tightened. To remove the tip ejector in models AP5000 and AP10000, remove the ejector pushbutton (Fig. 3N) and using a screwdriver unscrew the tip ejector by turning the screwdriver counter-clockwise.

Problem	Cause	Solution
The pipette incorrectly aspirates the liquid or liquid drops out from the tip.	Damage to the piston or seal due to prolonged use with the aggressive liquids.	Disassemble the pipette as described above. Replace the piston, seal and O-ring (see Section 12). Rinse the inside of the shaft in distilled water and dry. Lubricate the seal and O-ring with the lubricant, that is included with each pipette. Following piston replacement, a calibration procedure is required. Note: The parts of AP2 and AP10 pipette should be lubricated evenly with a minimum amount of lubricant.
	The pipette is reassembled improperly.	Disassemble the pipette and reassemble it, observing the proper sequence of steps (Fig. 3).
	No lubricant on the sealing elements.	Remove the tip ejector. Unscrew the shaft nut, remove the shaft, piston assembly, seal and O-ring. Rinse the removed parts in distilled water and dry thoroughly. Lightly lubricate the inside surfaces of the seal and the O-ring with the included lubricant. Reassemble the pipette in the reverse order.
The pipette incorrectly aspirates the liquid or liquid drops out from the tip.	Contamination of the inside of the pipette caused by extensive aspiration of chemically aggressive liquids or because liquid got inside the pipette.	Remove the tip ejector. Unscrew the nut, remove the shaft, piston assembly, seal and O-ring. Rinse the removed parts with distilled water and dry thoroughly. Lightly lubricate the inside surfaces of the seal and the O-ring with the lubricant. Reassemble the pipette in the reverse order.

If you find an increase in the pipetting force, which could happen after repetitive autoclaving of the pipette:

Remove the ejector. Unscrew the shaft nut, and then remove the shaft, piston assembly, seal and O-ring. Rinse the removed parts in distilled water and dry. Lubricate the internal surfaces of the seal and O-ring with lubricant that has been included with each pipette. Reassemble the pipette in opposite order.

Note: All parts of the pipette can be autoclaved (see Section 10). The shaft of the AP5000 and AP10000 models should be autoclaved without the filter.

If the problem continues after carrying out the above steps, contact your **Assist** pipette representative.

Before returning the pipette, please ensure that the pipette is completely free of any chemical, radioactive or microbiological contamination which could pose a threat during transport and repair. As far as it is possible, clean the pipette.

10 – CLEANING AND STERILISATION

Cleaning:

External surfaces of the pipetting pushbutton, the ejector pushbutton, the handgrip, the shaft nut and the adjustment knob may be cleaned using a cloth dampened in isopropyl alcohol. The remaining parts removed from the pipette during pipette disassembly may be washed with distilled water or isopropyl alcohol.

Warning:

Before using cleaning agents other than those recommended by the manufacturer, check the compatibility charts and consider chemical resistance of the following plastics: PP, PC, POM, PA, PPS, PVDF used to produce the pipette parts.

Sterilization:

The pipette can be sterilised in an autoclave at 121°C for 20 minutes. After sterilisation, the pipette should be dried and cooled to room temperature

It is recommended:

- to sterilize the pipettes in autoclave with an initial vacuum and drying cycle,
- prior to sterilization unscrew the shaft nut slightly in the AP2 to AP1000 pipettes, and unscrew the shaft slightly in the AP5000 and AP10000. After autoclaving these parts should be screwed tight again.
- prior to sterilization the multichannel pipette unscrew the nut connecting the handle and module slightly. After autoclaving these parts should be screwed tight again.

The shaft of the 5000 and 10000 models should be autoclaved without the filter.

The precision of the results should not alter if the pipetting process and autoclaving are carried out as described in this manual.

Because a slight change in the accuracy of the dosage may occur, it is recommended to:

- check the calibration of the pipette after the initial first, third and fifth autoclaving cycles and then after every 10 autoclaving cycles.

The pipettes are UV resistant which was confirmed by our tests. The recommended distance from the radiation source to exposed element should be not less than 50 cm. Prolonged and very intense UV exposure can cause de-coloration of pipette parts, without affecting its performance.

11 – PIPETTE KIT AND ACCESSORIES

Pipette kit:

The pipettes are delivered in the kits including:

- Pipette
- Instruction manual
- Calibration key
- Ejector length adjustment spacers (for pipette models AP2 to AP1000)
- Ejector cap (for pipette models AP2, AP10, AP5000, AP10000)
- Filters (for pipette models AP5000, AP10000)
- Lubricant
- Color Identification Rings

Accessories:

Description	Cat. no.
Carousel stand	BS-010522
Multiple stand	BS-010523
1-position stand	BS-010524
4-position stand	BS-010525

12 – SPARE PARTS

The spare parts indicated in Fig. 3, 4 and 5 that is:

- A: Pipetting pushbutton A1: Pushbutton A2: Knob
- B: Adjustment knob
- C: Shaft
- D: Ejector
- F: Shaft nut
- G: Piston assembly
- H: Spacer

- I: O-ring
- J: Seal
- K: Calibration key
- L: Filter
- M: Ejector cap
- N: Ejector pushbutton
- P: Identification ring

can be ordered from your **BIOSAN** representative (type of pipette and name of the part for this pipette should be specified).

To find your nearest service center and for technical support, visit <http://www.biosan.lv>

Warning: The replacement of the piston requires a calibration procedure to be carried out, as described in section 8.

All rights reserved. Product described in this manual is subject to availability and technical modification. Errors excepted.

BIOSAN reserves the right to improve, enhance or otherwise modify its products without prior notification.

INHALT

- 1 – ALLGEMEINES
- 2 – EINSTELLEN DES VOLUMENS
- 3 – PIPETTIEREN
- 4 – VORSPÜLEN
- 5 – DICHT E UND VISKOSE FLÜSSIGKEITEN
- 6 – PIPETTENSPIZTEN
- 7 – BENUTZUNGSHINWEISE
- 8 – REKALIBRIERUNG
- 9 – BESEITIGUNG KLEINER MÄNGEL
- 10 – REINIGUNG UND STERILIZATION
- 11 – KOMPLETTIERUNG
- 12 – ERSATZTEILE UND ZUBEHÖR

1 – ALLGEMEINES

Die **Assist** Pipette ist ein präzises Volumenmeß-gerät zur Dosierung und zum Transfer von Flüssigkeiten. Je nach Modell können Volumina von 0,1 µl bis 10000 µl genau dosiert werden.

Assist Pipetten ist eine Modellreihe von variablen Mehrkanalpipetten zum Arbeiten auf Mikrotiterplatten. Die Assist Pipetten gibt es mit 8 oder 12 Kanälen. In beiden Versionen stehen je 4 Pipetten für die Volumina 0,5 bis 10 µl, 5 bis 50 µl, 20 bis 200 µl und 50 bis 300 µl zur Verfügung.

Assist Pipetten besitzen eine digitale Volumenanzeige. Die Volumeneinstellung erfolgt mit Hilfe der Schraube im Pipettierdruckknopf (Abb. 1A2) oder durch die Drehung der Einstellschraube (Abb. 1B).

Die Flüssigkeit wird in Einwegspitzen angesaugt, die am Pipettenschaft befestigt sind. Einmalige Spitzen sorgen für maximale Sicherheit und beseitigen die Möglichkeit der Kreuzkontamination der flüssigen Proben. Um den Benutzer vor kontaminierten Spitzen zu schützen, ist die Assist-Pipette mit einem eingebauten Spitzenauswerfer ausgestattet (Abb. 1D). Der Aufbau des Spitzenauswerfers ermöglicht es dem Benutzer, die Länge einzurichten. Bei Verwendung von schmalen Röhren kann es notwendig sein, den Spitzenauswerfer zu entfernen.

Die Spitzenauswerferlänge bei die Einkanalpipetten

Einstellung der Spitzenauswerferlänge

- in Pipetten eines Volumens von 2-1000 µl (Abb. 5A)

Den Spitzenauswerfer kann man um +1 bzw. +2 mm mit Einstellungschützen "H" verlängern. Vom Hersteller wurde die Hülse "H0" angebracht. Die Hülsen unterscheiden sich je nach Länge in ihrer Außenform, und so sind einfach zu identifizieren.

- in Pipetten eines Volumens von 5000 und 10000 µl (Abb. 5B).

Die Regelung der Länge des Abwerfers erfolgt durch Ein- bzw. Herausdrehen des Abwerferschaftes mittels Schraubendreher. Zwecks Verlängerung des Abwerfers ist der Schraubendreher entgegen dem Uhrzeigersinn zu drehen, dagegen im Uhrzeigersinn zwecks Verkürzung der Abwerferlänge. Der Regelbereich beträgt 5 mm.

Wenn die oben beschriebene Methode keinen Erfolg zeigt, oder die Öffnung des Abwerfers zu groß ist, setzen Sie die Abwerferkappe "M" auf den Abwerfer auf, (Abb. 5C).

- und Pipetten eines volumens 2 - 10 µl (Abb. 5D)

Die 2 µl - 10 µl Pipetten können die Verwendung eines Abwerfer-Aufsatzes "M" erfordern, damit von verschiedenen Herstellern stammende Spitzen effizient ausgeworfen werden können. Der Aufsatz ist auf den Schaft aufzustecken und auf das Abwerfer-Endstück so aufzuschieben, dass er dieses umfasst.

Die Spitzenauswerferlänge bei die Mehrkanalpipetten

Die Konstruktion der Pipette ermöglicht die Lageänderung des Mehrkanalmoduls und Abwurf von Spitzen im Bereich von 360°, was die Wahl der günstigsten Position zum Abfüllen von Mikroplatten erlaubt. Es wird empfohlen, das Modul im Uhrzeigersinn zu drehen. Aufgrund des langen Hubes des Abwerfer in der Mehrkanalpipette ist die Einstellung der Länge nicht erforderlich.

Die Assist Pipette ist ein Präzisionsinstrument, dessen Spezifikationen mit den zugehörigen Pipettenspitzen ermittelt worden sind. Die in der nachfolgenden Tabelle angegebenen Werte für Genauigkeit und Präzision können deshalb nur bei der Verwendung von original-Pipettenspitzen garantiert werden.

Die Einkanalpipetten

Modell	Volumen [µl]	Genauigkeit [%]	Präzision [%]
AP2	0.2	± 12.0	± 6.0
	1.0	± 2.7	± 1.3
	Max 2.0	± 1.5	± 0.7
AP10	Min 0.5	± 4.0	± 2.8
	5.0	± 1.0	± 0.6
	Max 10.0	± 0.5	± 0.4
AP20	Min 2	± 3.0	± 1.5
	10	± 1.0	± 0.5
	Max 20	± 0.8	± 0.3
AP50	Min 5	± 2.5	± 2.0
	25	± 1.0	± 0.6
	Max 50	± 0.8	± 0.4
AP100	Min 10	± 1.6	± 0.80
	50	± 0.8	± 0.24
	Max 100	± 0.8	± 0.20
AP200	Min 20	± 1.2	± 0.60
	100	± 0.8	± 0.25
	Max 200	± 0.6	± 0.20
AP250	Min 50	± 1.0	± 0.4
	125	± 0.8	± 0.3
	Max 250	± 0.6	± 0.3
AP1000	Min 100	± 1.6	± 0.40
	500	± 0.7	± 0.20
	Max 1,000	± 0.6	± 0.15

Modell	Volumen [µl]	Genauigkeit [%]	Präzision [%]
AP5000	Min 500	± 1.2	± 0.50
	2,500	± 0.6	± 0.20
	Max 5,000	± 0.5	± 0.15
AP10000	Min 1,000	± 2.5	± 0.6
	5000	± 0.8	± 0.3
	Max 10,000	± 0.5	± 0.2

Die Mehrkanalpipetten

Modell	Volumen [µl]	Genauigkeit [%]	Präzision [%]
AP8-10 AP12-10	Min 0.5	±10.0	± 8.0
	5	±4.0	± 2.0
	Max 10	±2.0	± 1.2
AP8-50 AP12-50	Min 5	±4.0	± 2.5
	25	±3.0	± 1.2
	Max 50	±1.6	± 0.6
AP8-200 AP12-200	Min 20	±3.0	± 1.5
	100	±1.5	± 0.8
	Max 200	±1.0	± 0.6
AP8-300 AP12-300	Min 50	±1.6	± 1.5
	150	±1.2	± 1.0
	Max 300	±1.0	± 0.6

Diese Spezifikationen mit den angegebenen Toleranzen werden bei Anwendung einer gravimetrischen Kontrollmethode erreicht. Dabei wird destilliertes Wasser bei einer Temperatur von 19°C bis 21°C als Probe eingesetzt. Die Pipette, die Spitzen und die Umgebung müssen bei gleicher Temperatur stabilisiert sein. Es müssen mindestens 10 Messungen ausgeführt werden. Die angegebenen Werte umfassen alle Einflußmöglichkeiten durch Handwärme und Spitzenwechsel.

Diese Spezifikationen wurden bei Verwendung von Original Spitzen erreicht.

Kontrollvorschrift: Der gravimetrische Test gemäß der Norm EN ISO 8655.

2 – EINSTELLEN DES VOLUMENS

Das Volumen wird auf der dreistelligen Anzeige von oben nach unten abgelesen. Auf der untersten Anzeige befindet sich zusätzlich eine Skala, die die Volumeneinstellung im Bereich des Teilungswertes ermöglicht.

Beispiele der Kennzeichnungen der schwarzen und roten Ziffern:

Die Einkanalpipetten

Modell	Zählereinstellungen	Eingestelltes Volumen	Skalenteilung
AP2	$\begin{array}{ c } \hline 1 \\ \hline 2 \\ \hline 5 \\ \hline \end{array}$	1.25 µl	0.002 µl
AP10	$\begin{array}{ c } \hline 0 \\ \hline 7 \\ \hline 5 \\ \hline \end{array}$	7.5 µl	0.02 µl
AP20	$\begin{array}{ c } \hline 1 \\ \hline 2 \\ \hline 5 \\ \hline \end{array}$	12.5 µl	0.02 µl
AP100	$\begin{array}{ c } \hline 0 \\ \hline 7 \\ \hline 5 \\ \hline \end{array}$	75 µl	0.2 µl
AP200	$\begin{array}{ c } \hline 1 \\ \hline 2 \\ \hline 5 \\ \hline \end{array}$	125 µl	0.2 µl
AP1000	$\begin{array}{ c } \hline 0 \\ \hline 7 \\ \hline 5 \\ \hline \end{array}$	0.75 ml	2 µl
AP5000	$\begin{array}{ c } \hline 1 \\ \hline 2 \\ \hline 5 \\ \hline \end{array}$	1.25 ml	10 µl
AP10000	$\begin{array}{ c } \hline 0 \\ \hline 7 \\ \hline 5 \\ \hline \end{array}$	7.5 ml	20 µl

Die Mehrkanalpipetten

Modell	Zählereinstellungen	Eingestelltes Volumen	Skalenteilung
AP8-10 AP12-10	$\begin{array}{ c } \hline 0 \\ \hline 3 \\ \hline 5 \\ \hline \end{array}$	3.5 µl	0.02 µl
AP8-50 AP12-50	$\begin{array}{ c } \hline 0 \\ \hline 6 \\ \hline 5 \\ \hline \end{array}$	6.5 µl	0.10 µl
AP8-200 AP12-200	$\begin{array}{ c } \hline 0 \\ \hline 8 \\ \hline 5 \\ \hline \end{array}$	85.0 µl	0.20 µl
AP8-300 AP12-300	$\begin{array}{ c } \hline 2 \\ \hline 5 \\ \hline 0 \\ \hline \end{array}$	250.0 µl	1.0 µl

Das Pipettenvolumen wird mit Hilfe des Volumeneinstellrädchens (Abb. 1B) eingestellt. Die höchste Genauigkeit wird erreicht, wenn von einem höheren Volumenaugegangen

und die Anzeige des Zählers so lange verringert wird, bis der gewünschte Wert erreicht ist.

- Wenn das gewünschte Volumen geringer ist als das auf dem Zähler eingestellte, muss die Anzeige des Zählers durch das Drehen des Volumeneinstellrädchens (Abb. 1B) auf die gewünschte Größe verringert werden. Vor dem Erreichen der gewünschten Größe muss man die Drehgeschwindigkeit verringern und darauf achten, dass die einzustellende Größe nicht unterschritten wird.
- Wenn das gewünschte Volumen größer ist als das auf dem Zähler eingestellte, muss die Anzeige des Zählers durch das Drehen des Volumeneinstellrädchens auf einen Wert erhöht werden, der das gewünschte Volumen um ca. 1/3 Umdrehung der untersten Trommel überschreitet. Anschließend wird die Einstellung durch langsames Drehen auf die gewünschte Größe herabgesetzt, wobei darauf geachtet werden muss, dass sie nicht unterschritten wird.

Beim Unterschreiten der gewünschten Größe muss der Einstellvorgang wiederholt werden. Das gewünschte Volumen muss immer von einem höheren Volumen ausgehend durch die Verringerung der Anzeige des Zählers eingestellt werden..

3 – PIPETTIEREN

Die Einkanalpipetten

Die passende Spitze auf den Schaft der Pipette aufstecken. Die Wahl der entsprechenden Spitze ist im Abschnitt 6 beschrieben. Die Spitze wird durch eine Drehbewegung auf den Schaft fest gedrückt. Dies gewährleistet eine dichte Verbindung.

Die Mehrkanalpipetten

Zunächst ist der dichte Sitz der Spitzen zu kontrollieren. Beim Aufsetzen der Spitzen auf die Schäfte soll man die Pipette gegen die Spitzen im Kasten so lange andrücken, bis sich die Schäfte zum Inneren des Gehäuses um ca. 1.5 mm verschieben. Elastische Aufhängung der Schäfte gewährleistet eine exakte Abdichtung der Spitzen auf den Schäften, ohne dass man seitliche Bewegungen ausführen muss.

Achtung: Niemals Flüssigkeiten mit einem Assist Pipette ohne Spitze aufnehmen.

Ansaugen

- Den Druckknopf bis zum ersten Druckpunkt eindrücken, (Abb. 2A).

- Die Pipette senkrecht halten und die Spitze in die Probe-
flüssigkeit eintauchen. Die Tiefe, bis zu der die Spitze in die
Probeflüssigkeit eingetaucht wird, hängt vom Modell ab:

Modell	Eintauchtiefe [mm]
AP2	≤ 1
AP10	≤ 1
AP20, AP50, AP100	2 - 3
AP200, AP250, AP1000	2 - 3
AP5000	3 - 6
AP10000	5 - 7

- Den Druckknopf langsam loslassen, um die Probe anzusaugen, (Abb. 2B).
- Eine Sekunde lang warten und dann die Spitze aus der Flüssigkeit herausnehmen.
- Eventuell auf der Oberfläche der Pipettenspitze vorhandene Flüssigkeit mit einem Tuch abwischen. Bei geringerer Eintauchtiefe der Pipettenspitze als empfohlen oder bei einem zu schnellen Loslassen des Pipettierknopfes kann Luft aufgenommen werden.

Die Öffnung der Spitze nicht berühren.

Ausstoßen:

- Das Ende der Spitze in einem Winkel von 10 bis 40 Grad gegen die Innenwand des Gefäßes halten.
- Den Druckknopf langsam bis zum ersten Druckpunkt herunterdrücken, (Abb. 2C).
- Eine Sekunde lang warten.
- Den Druckknopf bis zum zweiten Druckpunkt herunterdrücken, um restliche Flüssigkeit auszustoßen, (Abb. 2D).
- Die Pipette mit ganz gedrücktem Druckknopf herausnehmen, in dem die Spitze an der Innenwand des Gefäßes entlang gezogen wird. Den Druckknopf loslassen, (Abb. 2E).
- Die Spitze durch Drücken des Spitzenabwerfers abwerfen, (Abb. 2F).

Achtung: Die Spitze muß gewechselt werden, wenn eine andere Probe pipettiert oder die Volumeneinstellung geändert wird.

Filter

In den Pipetten 5000 µl und 10000 µl wurde ein austauschbares Filter angewandt, welches in der Öffnung im unteren Schaffteil montiert wurde (Abb. 3L). Dieses Filter stellt sicher, dass die entnommene Flüssigkeit nicht in den Schaft

gelangt. Dadurch wird gewährleistet, dass Schaft und Tauchkolben von innen nicht verunreinigt werden. Wesentliche Bedeutung hat der Einsatz eines Filters bei der Entnahme und Ausgabe von Flüssigkeit eines großen Volumens. Es muss ein neues Filter eingesetzt werden, falls es bei der Entnahme von Flüssigkeit befeuchtet werden sollte.

4 – VORSPÜLEN

Beim Dosieren von Flüssigkeiten, die eine höhere Viskosität oder eine niedrigere Oberflächenspannung haben als Wasser (z.B. Serum oder org. Lösungsmittel), bildet sich ein Flüssigkeitsfilm auf der Innenseite der Pipettenspitze. Da diese Benetzung bei aufeinander

folgenden Pipettierungen mit derselben Spitze relativ konstant bleibt, kann dieser Fehler dadurch vermieden werden, daß die Benetzung vor Aufgabe der ersten Probe erfolgt. Dazu wird eine Probe angesaugt und wieder in dasselbe Gefäß ausgestoßen. Da sich der Film bereits gebildet hat, werden alle folgenden Proben eine höhere Genauigkeit und Wiederholbarkeit aufweisen.

Dieses Vorspülen sollte immer dann wiederholt werden, wenn das anzusaugende Volumen geändert oder eine neue Spitze benutzt wird.

5 – DICHTE UND VISKOSE FLÜSSIGKEITEN

Die für **Assist** Pipette angegebenen Werte für Genauigkeit und Präzision beziehen sich auf destilliertes Wasser. Für Flüssigkeiten, die sich in ihren physikalischen Eigenschaften wie Dichte, Viskosität und Oberflächenspannung erheblich vom Wasser unterscheiden, muß gegebenenfalls eine Kompensation gravimetrisch ermittelt werden.

Im Normalfall genügt es allerdings, wenn man etwas langsamer arbeitet und sowohl nach dem Ansaugen als auch nach dem Auspipettieren mindestens 2 Sekunden lang wartet, bevor die Pipettenspitze bewegt wird, damit die Flüssigkeit Zeit hat, dem Druckunterschied zu folgen.

In Ausnahmefällen, soweit diese Vorgehensweise nicht das Erzielen von genauer Ergebnissen bei der Verwendung der Pipette gewährleistet:

- mit dem Drehknopf das anzusaugende Volumen an der Pipette einstellen und die Flüssigkeit aufnehmen
- das Gewicht des aufgenommenen Flüssigkeitsvolumens messen

- anschließend den Wert einer neuen Einstellung nach der folgenden Formel ermitteln

$$\text{Neueinstellung} = 2 \times \text{Nennwert} - \frac{m}{\gamma}$$

(aufzunehmendes Volumen)

m – Masse der beim ersten Pipettieren aufgenommenen Flüssigkeit

γ – Dichte der aufzunehmenden Flüssigkeit

Dieses Schema ist zur Vermeidung von möglichen Fehlern zu wiederholen. Den Wert der Korrektur, also der Differenz zwischen dem an der Pipette eingestellten Volumen und dem tatsächlich aufgenommenen Wert kann man notieren, um ihn bei späterem Pipettieren derselben Flüssigkeit zu verwenden.

6 – PIPETTENSPITZEN

Spitzen werden aus hochwertigem Polypropylen hergestellt. Ihre Qualität garantiert zusammen mit der Assist Pipette Genauigkeit und Präzision. Strenge Kontrollen während des gesamten Herstellungsprozesses gewährleisten höchste Qualität. Die Werte für Genauigkeit und Präzision für die Assist Pipette werden nur garantiert, wenn er mit Spitzen benutzt wird. Die Verwendung von Spitzen minderer Qualität beeinträchtigt erheblich die Qualität der Pipettierungen.

Spitzen 10

Spitzen zur Entnahme von Flüssigkeit eines Volumens von 0.1 µl bis 10 µl. Geeignet für Pipetten Typ AP2, AP10, AP8-10 und AP12-10 .

Spitzen 200

Spitzen zur Entnahme von Flüssigkeit eines Volumens von 2 µl bis 200 µl. Geeignet für Pipetten Typ AP20, AP50, AP100, AP200, AP8-50, AP12-50, AP8-200 und AP12-200 .

Spitzen 300

Spitzen zur Entnahme von Flüssigkeit eines Volumens von 50 µl und 300 µl. Geeignet für Pipetten Typ AP250, AP8-300 und AP12-300.

Spitzen 1000

Spitzen zur Entnahme von Flüssigkeit eines Volumens von 100 µl und 1000 µl. Geeignet für Pipetten Typ AP1000.

Spitzen 5000

Spitzen zur Entnahme von Flüssigkeit eines Volumens von 500 µl und 5000 µl. Geeignet für Pipetten Typ AP5000.

Spitzen 10000

Spitzen zur Entnahme von Flüssigkeit eines Volumens von 1000 bis 10000 µl. Geeignet für Pipetten Typ AP10000.

7 – BENUTZUNGSHINWEISE

Die folgenden Benutzungshinweise gewährleisten höchste Genauigkeit und Präzision der Meßwerte der Assist Pipette:

- Sicherstellen, daß mit der Assist Pipette behutsam gearbeitet wird.
- Die Tiefe des Eintauchens in die Probenflüssigkeit sollte so gering wie möglich sein und während des Ansaugens konstant bleiben.
- Die Assist Pipette senkrecht halten.
- Die Spitze wechseln, wenn die Volumeneinstellung geändert wird oder wenn eine andere Flüssigkeit pipettiert werden soll.
- Die Spitze wechseln, wenn ein Tropfen von der vorherigen Pipettierung am Spitzeneende hängen bleibt.
- Jede neue Spitze mit der zu pipettierenden Flüssigkeit vorspülen.
- Es darf niemals Flüssigkeit in den Pipettenschaft eintreten. Um das zu vermeiden:
 - den Druckknopf behutsam herunterdrücken und loslassen,
 - die Pipette stets senkrecht halten,
 - die Pipette niemals hinlegen, wenn sich Flüssigkeit in der Spitze befindet.
- Das Mikrometer niemals überdrehen.
- Vor dem Pipettieren von Flüssigkeiten mit anderen Temperaturen als die Umgebungstemperatur die Spitze mehrmals vorspülen.
- Keine Flüssigkeiten mit Temperaturen über 70°C pipettieren.
- Nach der Pipettierung von Säuren oder ätzenden.

Flüssigkeiten sollte der Schaft losgeschraubt und Kolben und Dichtung mit destilliertem Wasser gespült werden.

Die Pipetten sind gegen UV-Strahlung beständig, was durch unsere Tests bestätigt wurde. Der empfohlene Abstand zwischen der Strahlungsquelle und dem bestrahlten Element sollte mindestens 50 cm betragen. Zu lang andauernde, intensive Bestrahlung kann eine geringe Änderung der Ästhetik farbiger Elemente des Pipetten verursachen, ohne die Parameter des Pipetten zu beeinflussen.

8 – REKALIBRIERUNG

Pipetten sind nach dem gravimetrischen Verfahren kalibriert, unter Einsatz von HTL-Spitzen und destilliertem Wasser, bei einer Temperatur von $20 \pm 1^\circ\text{C}$ gemäß der Norm EN ISO 8655.

Falls bei der Benutzung der Pipette festgestellt wird, dass der Genauigkeitsfehler (Differenz zwischen dem Istwert des entnommenen Volumens und dem Sollwert) den zulässigen Wert überschreitet, der in der Tabelle

in Kapitel 1 angegeben wird, ist eine Rekalibrierung der Pipette vorzunehmen.

Vor dem Beginn der Rekalibrierung ist zu prüfen, ob bei der Bestimmung des Fehlers die unten stehenden Bedingungen erfüllt wurden:

- Die Temperatur der Umgebung, der Pipette, der Spitzen und des Wasser war identisch.
- Die Dichte der verwendeten Flüssigkeit hatte einen Wert, der dem von destilliertem Wasser nahe lag.
- Es wurde eine Waage von entsprechender Empfindlichkeit eingesetzt.

Geprüftes Volumen [µl]	Empfindlichkeit der Waage [mg]
0.1 - 10	≤0.001
10 - 100	≤0.01
>100	≤0.1

- Der Umrechnungsfaktor mg/µl wurde berücksichtigt.
- Die in den Kapiteln 3 und 7 angeführten Anforderungen wurden erfüllt. Falls die obigen Bedingungen erfüllt wurden, und der Genauigkeitsfehler für das ausgewählte Volumen, angegeben in Kapitel 1, den zulässigen Wert überschreitet, ist eine Rekalibrierung der Pipette vorzunehmen.

Die Rekalibrierung kann nur im Bereich jeweils einer vollen Umdrehung des Schlüssels nach links oder rechts ausgeführt werden.

Bedingungen einer Rekalibrierung:

- Die Temperatur der Umgebung, der Pipette, der Spitze und der Flüssigkeit soll in den Grenzen von $20 - 25^\circ\text{C}$ liegen und beim Wägen im Bereich $\pm 0.5^\circ\text{C}$ stabilisiert werden.
- Bei den Messungen ist destilliertes Wasser zu verwenden.
- Die Empfindlichkeit der Waage muß dem geprüften Volumen entsprechen.

Verfahrensweise bei der Rekalibrierung:

- Dosisvolumen je nach dem Volumen der Pipette gemäß der folgenden Tabelle einstellen:

Die Einkanalpipetten

Modell	Volumenbereich der Pipette [µl]	Eingestelltes Volumen [µl]	Eingestelltes Volumen [µl]	Volumenänderung bei voller Umdrehung des Kalibrierschlüssels [µl] (24 Skalenteilungen)
AP2	0.1 - 2	0.2	0.176 - 0.224	0.06
AP10	0.5 - 10	0.5	0.48 - 0.52	0.33
AP20	2 - 20	2	1.94 - 2.06	0.63
AP50	5 - 50	5	4.875 - 5.125	2.50
AP100	10 - 100	10	9.84 - 10.16	2.50
AP200	20 - 200	20	19.76 - 20.24	6.30
AP250	50 - 250	50	49.5 - 50.5	6.30
AP1000	100 - 1000	100	98.4 - 101.6	25.00
AP5000	500 - 5,000	500	494 - 506	125.00
AP10000	1,000 - 10,000	1,000	975 - 1,025	250.00

Die Mehrkanalpipetten

Modell	Volumenbereich der Pipette [µl]	Eingestelltes Volumen [µl]	Eingestelltes Volumen [µl]	Volumenänderung bei voller Umdrehung des Kalibrierschlüssels [µl] (24 Skalenteilungen)
AP8-10 AP12-10	0.5 - 10	0.5	0.45 - 0.55	0.33
AP8-50 AP12-50	5 - 50	5	4.8 - 5.2	1.67
AP8-200 AP12-200	20 - 200	20	19.4 - 20.6	6.30
AP8-300 AP12-300	50 - 300	50	49.2 - 50.8	10.00

- Fünf Entnahmen vornehmen, diese jedesmal wägen und den Mittelwert dieser Entnahmen berechnen.
- Drei Entnahmeserien ausführen (je Serie Entnahme aus sämtlichen Kanälen), jedesmal wägen und den Mittelwert dieser Entnahmen ermitteln.
- Das mittlere entnommene Volumen in [µl] berechnen, indem der Mittelwert der Entnahmen in [mg] durch den temperatur- und druckabhängigen Dichtekoeffizienten des destilliertem

Wasser [$\mu\text{l}/\text{mg}$] gemäß der folgenden Tabelle multipliziert wird.

Temperatur [°C]	Druck [kPa]		
	95.0	101.3	105.0
20	1.0028	1.0029	1.0029
21	1.0030	1.0031	1.0031
22	1.0032	1.0033	1.0033
23	1.0034	1.0035	1.0036
24	1.0037	1.0038	1.0038
25	1.0039	1.0040	1.0040

Wenn das mittlere entnommene Volumen über den zulässigen Werten liegt, ist folgendermaßen vorzugehen:

- Den Pipettierdruckknopf entfernen, (Abb. 4A).
- Die Einstellschraube so halten, dass sie vor einer Umdrehung gesichert ist, und den Kalibrierschlüssel in die Kanäle der Kalibrierschraube einstecken. (Abb. 4B).
- Zwecks Verringerung des entnommenen Volumens den Schlüssel im Uhrzeigersinn bzw. entgegen dem Uhrzeigersinn zwecks Erhöhung des entnommenen Volumens drehen, (Abb. 4C),

Je eine volle Umdrehung des Kalibrierschlüssels ändert das zu entnehmende Volumen der Pipette um die in der Tabelle angegebenen Werte,

- Den Kalibrierschlüssel entfernen und den Pipettierdruckknopf (Abb. 4D) aufsetzen.

Mittleres entnommenes Volumen bestimmen. Das mittlere Volumen soll im Bereich der zulässigen Werte liegen, die in der Tabelle angegeben sind. Wenn dieses Volumen die angegebenen Werte überschreitet, ist die Rekalibrierung zu wiederholen.

Beim Pipettieren von Flüssigkeiten, deren physikalische Eigenschaften sich wesentlich von den Eigenschaften des Wassers unterscheiden, ist gemäß Kapitel 5 vorzugehen.

Mehr Informationen über die Kalibrierung sind der Seite www.htl.com.pl zu entnehmen.

9 – BESEITIGUNG KLEINER MÄNGEL

Wenn die Pipette fehlerhaft arbeitet, muss die Ursache geprüft und der Fehler beseitigt werden. Bei der Beseitigung des Fehlers muss man entsprechend der in der Bedienungsanleitung angegebenen Reihenfolge vorgehen. Der Austausch der Teile soll als äußerste Notwendigkeit angesehen wer-

den, denn bei einem sachgemäßen Gebrauch treten solche Mängel nicht auf.

In der Pipettenspitze verbleiben Flüssigkeitstropfen.

- Zu schnelle Entleerung der Pipettenspitze
Die Geschwindigkeit des Drückens auf den Pipettierdruckknopf verlangsamen.
- Erhöhte Benetzbarkeit der Pipettenspitze, verursacht durch häufigen Gebrauch
Die Pipettenspitze gegen eine neue austauschen.

In der Flüssigkeit, die in die Pipettenspitze aufgenommen wurde, bilden sich Luftbläschen.

- Zu geringe Eintauchtiefe der Pipettenspitze
Die Pipettenspitze tiefer eintauchen, gemäß der Bedienungsanleitung.
- Zu schnelle Flüssigkeitsentnahme
Langsamer die Flüssigkeit entnehmen.
- Die Pipettenspitze sitzt zu locker auf dem Pipettenschaft
Die Pipettenspitze fester auf den Schaft drücken.
- Die Pipettenspitze ist beschädigt oder wurde zu häufig gebraucht
Die Pipettenspitze gegen eine neue austauschen.

Die Pipette entnimmt fehlerhaft die Flüssigkeit oder die Flüssigkeit tropft aus der Pipettenspitze.

- Die Pipettenspitze sitzt zu locker auf dem Pipettenschaft.
Die Pipettenspitze stärker auf den Schaft drücken.
- Die Rändelmutter ist lose (Abb. 3F).
Die Rändelmutter anziehen.
- Brüche oder Risse auf der Dichtungsfläche des Schaftes
Den Spitzenabwerfer abnehmen, die Rändelmutter lösen, Schaft und Kolbeneinheit prüfen. Die beschädigten Teile auswechseln (s. Abschnitt 11), die Pipette durch Festschrauben der Mutter montieren. Bei den Pipetten AP2, AP10 und AP20 kann ein defekter Schaft die Beschädigung der Kolbeneinheit verursachen. Die defekten Teile auswechseln (s. Abschnitt 11), die Pipette wieder zusammensetzen und die Rändelmutter fest anziehen. Um den Abwerfer der Pipetten AP5000 und AP10000 auszubauen, muss der Abwerferdruckknopf (Abb. 3N) abgenommen werden. Anschließend wird mit Hilfe eines Schraubenziehers der Abwerfer gelöst, in dem man den Schraubenzieher entgegen der Uhrzeigerichtung dreht.

- Beschädigung des Kolbens oder der Pipettendichtung, verursacht durch häufige Entnahme von aggressiven Flüssigkeiten.

Die Pipette wie oben angegeben auseinandernehmen. Kolbeneinheit, Dichtung und O-Ring austauschen (s. Abschnitt 11). Die Innenfläche des Schafts mit destilliertem Wasser reinigen. Die Dichtung und den O-Ring mit dem Schmierfett behandeln. Der Austausch des Kolbens erfordert eine erneute Kalibrierung. Bei den Pipetten AP2, AP10 muss darauf geachtet werden, dass die zu fettenden Teile gleichmäßig mit einer minimalen Schmierfettmenge bedeckt werden.

- Unsachgemäßes Zusammensetzen der Pipette
Die Pipette auseinandernehmen und erneut zusammensetzen, wobei die vorgeschriebene Reihenfolge der Montage eingehalten werden muss. (Abb. 3).
- Auf den Dichtungselementen befindet sich kein Schmierfett
Den Abwerfer abnehmen. Die Rändelmutter lösen. Schaft, Kolbeneinheit und O-Ring herausnehmen. Die entnommenen Teile mit destilliertem Wasser reinigen und trocknen. Die Innenflächen der Dichtung und des O-Rings leicht mit dem Schmierfett behandeln. Die Pipette in umgekehrter Reihenfolge wieder zusammensetzen.
- Verunreinigungen des Innenteils der Pipette, verursacht durch häufige Entnahme von aggressiven chemischen Flüssigkeiten oder durch ein Überfließen des Innenteils der Pipette.
Den Abwerfer abnehmen, die Rändelmutter lösen, den Schaft, Kolbeneinheit, die Dichtung und den O-Ring herausnehmen. Die ausgebauten Teile mit destilliertem Wasser reinigen und trocknen. Die Innenfläche der Dichtung und des O-Rings leicht mit Schmierfett behandeln. Die Pipette erneut zusammensetzen. Hinweis: Kolben, Befestigungsmutter des Schafts, Abwerfer, Kolbeneinheit, Dichtung und O-Ring können im Autoklaven 20 Minuten lang bei einer Temperatur von 121°C und einem Druck von 1 bar sterilisiert werden. Der Schaft der Pipetten 5000 und 10000 muss ohne Filter autoklaviert werden. Den Handgriff und die Außenteile der Pipette kann man mit einem Tuch, das mit Isopropanol getränkt ist, reinigen.

Wenn die Ausführung der angeführten Hinweise den Defekt der Pipette nicht behebt, dann senden Sie bitte die Pipette an den Service.

Vor dem Versand muss geprüft werden, ob die Pipette nicht mit aggressiven chemischen, radioaktiven oder mikrobiologischen Reagenzien verunreinigt ist, die eine Gefahr während

des Transports und der Instandsetzung darstellen können. Im Rahmen der Möglichkeiten die Pipette reinigen.

10 – REINIGUNG UND STERILIZATION

Reinigung:

Die Außenflächen des Pipettierdruckknopfes, des Abwerferdruckknopfes, des Handgriffs und der Kalibrierschraube kann man mit einem mit Isopropanol getränkten Tuch reinigen. Die übrigen bei der Demontage entnommenen Pipettenteile können mit destilliertem Wasser oder ebenfalls mit Isopropanol gereinigt werden.

Achtung:

Vor dem Einsatz von anderen Reinigungsmitteln als vom Hersteller empfohlen, nehmen Sie bitte Einsicht in die Tabellen für die Verträglichkeit von Werkstoffen, aus denen die Pipettenteile ausgeführt sind: PEI, PP, PC, POM, PA, PPS, PVDF.

Sterilisation:

Die komplette Pipette kann in einem Autoklaven bei einer Temperatur von 121°C 20 Minuten lang sterilisiert werden. Nach der Sterilisation muss die Pipette getrocknet und auf Zimmertemperatur abgekühlt werden.

Es wird empfohlen:

- die Pipetten in einem Autoklaven mit Vakuumvorbehandlung und Trocknung zu sterilisieren,
- vor der Sterilisation bei den Pipetten AP2-AP1000 die Mutter, die den Schaft befestigt, und bei den Pipetten AP5000 und AP10000 den Schaft selbst leicht zu lösen. Nach der Autoklavenbehandlung müssen diese Teile wieder angezogen werden.

Der Pipettierhelfer ist gegen UV-Strahlung beständig, was durch unsere Tests bestätigt wurde. Der empfohlene Abstand zwischen der Strahlungsquelle und dem bestrahlten Element sollte mindestens 50 cm betragen. Zu lang andauernde, intensive Bestrahlung kann eine geringe Änderung der Ästhetik farbiger Elemente des Pipettierhelfers verursachen, ohne die Parameter des Pipettierhelfers zu beeinflussen.

11 – KOMPLETTIERUNG

Die Pipetten sind mit folgenden Komponenten geliefert:

- Pipette
- Bedienungsanleitung
- Kalibrierschlüssel

- Abwerferkappe
(bei AP2 to AP1000)
- Einstellungsschutzen
(bei AP2, AP10, AP5000, AP10000)
- Filters (bei AP5000, AP10000)
- Schmiermittel
- Farbkennzeichnungsringe

Zubehör:

Beschreibung	Kat. Nr
Karussellständer	BS-010522
Mehrfachständer	BS-010523
1-Ständer	BS-010524
4-Ständer	BS-010525

12 – ERSATZTEILE UND ZUBEHÖR

Pipettenteile und Zubehör (Abb. 3, 4, 5):

- A: Pipettierdruckknopf
- B: Volumeneinstellschraube
- C: Schaft
- D: Spitzenabwerfer
- F: Rändelmutter
- G: Kolbeneinheit
- H: Abstandshalter
- I: O-Ring
- J: Teflondichtung
- K: Kalibrierschlüssel
- L: Filter
- M: Abwerferkappe
- N: Abwerferdruckknopf
- P: Identifikations ringe

Pipettenteile und Zubehör können Sie bei der zuständigen Vertretung bestellen. Bei der Bestellung bitte die genaue Bezeichnung des Teiles und das entsprechende Pipettenmodell angeben.

Ihr nächstgelegenes Service-Center und technische Unterstützung finden Sie unter <http://www.biosan.lv>

Zur Beachtung: Der Austausch der Tauchkolben-Einheit bedarf einer Rekalibrierung gemäß Kapitel 8.

Alle Rechte vorbehalten. Die in der vorliegenden Anweisung beschriebenen Produkte sind in begrenztem Umfang erhältlich und unterliegen technischen Änderungen. Die Fehler sind zulässig.

BIOSAN behält sich das Recht vor, Verbesserungen oder ähnliche Modifizierungen seiner Produkte ohne vorherige Mitteilung vorzunehmen.

SOMMAIRE

- 1 – INTRODUCTION
- 2 – REGLAGE DU VOLUME
- 3 – PRELEVEMENT ET DISTRIBUTION DES LIQUIDES
- 4 – PRE-RINÇAGE
- 5 – LIQUIDES DENSES ET VISQUEUX
- 6 – EMOUS DE PIPETTE
- 7 – RECOMMANDATIONS
- 8 – RECALIBRAGE
- 9 – RESOLUTION DES PROBLEMES
- 10 – NETTOYAGE ET STERILISATION
- 11 – JEUX DE PIPETTE ET ACCESSOIRES
- 12 – PIÈCES DÉTACHÉES

1 – GÉNÉRALITÉS

La pipette **Assist** est un instrument volumétrique conçu pour mesurer et transférer des liquides avec précision et en toute sécurité. Elle peut être utilisée pour des volumes allant de 0.1 µl à 10000 µl selon le modèle.

Toutes les **Assist** sont équipées d'un volumètre numérique indiquant le volume de prélèvement (pipetage). Le volume réglé est visible au niveau de la fenêtre d'affichage de la poignée. Le réglage des volumes s'effectue en tournant le bouton poussoir de la pipette (Fig. 1A2) ou en tournant le bouton de réglage (Fig. 1B) dans le sens adéquat.

Les liquides sont prélevés dans des embouts jetables fixées au manche de la pipette. Les embouts jetables permettent une sécurité maximale et éliminent les risques de contamination croisée des échantillons de liquides.

Pour protéger l'utilisateur des embouts contaminés, la pipette **Assist** est mise en place à l'aide d'un éjecteur de l'embout intégré (Fig. 1D).

La longueur de l'éjecteur de l'embout peut être réglée pour pratiquement tous les types d'embouts disponibles sur le marché. Il peut être nécessaire d'enlever l'éjecteur de l'embout en cas d'utilisation de tubes étroits. Il suffit alors de tirer dessus.

L'éjecteur de la pipette à canal unique

Réglage de la longueur de l'éjecteur de l'embout

- des pipettes de 2 à 1000 µl (Fig. 5A).

Les douilles d'espacement « H » fournies avec chaque pipette permettent de régler la longueur de l'éjecteur de l'embout de +1mm ou de +2mm. Une douille d'espacement « H » standard est préinstallée. La forme extérieure de la douille d'espacement permet d'identifier le réglage.

- des pipettes de 5000 et 10000 µl. (Fig. 5B).

Le réglage de la longueur de l'éjecteur de l'embout s'effectue en vissant ou en dévissant la tige de l'éjecteur de l'embout à l'aide d'un petit tournevis. Tourner le tournevis dans le sens inverse des aiguilles d'une montre pour augmenter la longueur de l'éjecteur de l'embout et dans le sens des aiguilles d'une montre pour la réduire. La longueur de l'éjecteur peut être augmentée ou diminuée de 5 mm maximum.

Si le réglage de l'éjecteur précisé ci-dessus n'est pas suffisant ou si le diamètre d'ouverture de l'éjecteur de l'embout est trop important, le capuchon « M » devra obligatoirement être placé sur l'éjecteur (Fig. 5C).

- des pipettes de 2 et 10 µl (Fig. 5D).

Les pipettes de 2 µl à 10 µl peuvent nécessiter l'utilisation d'un capuchon « M » d'éjecteur pour une éjection efficace de certaines marques d'embouts de pipette. Placer simplement le capuchon fourni avec la pipette à la base du manche de la pipette et faire glisser le capuchon vers le haut jusqu'à ce qu'il entoure la base de l'éjecteur de l'embout.

L'éjecteur de la pipette multicanaux

La construction de la pipette permet de changer l'emplacement du module multicanal et d'éjecter des embouts dans le champ de 360°, ce qui donne la possibilité de choisir la meilleure position pour remplir les microplaquettes. Il est recommandé de tourner le module dans l'ordre des aiguilles d'une montre. En raison de la course prolongée de l'éjecteur dans la pipette multicanal, le réglage de sa longueur n'est pas nécessaire.

La pipette **Assist** est un instrument de grande qualité permettant un haut degré d'exactitude et de précision.

L'exactitude et la précision (répétabilité) des réglages des volumes de liquide dépendent de la qualité de l'embout utilisée.

Les valeurs d'exactitude et de précision indiquées dans le tableau ont été obtenues à l'aide d'embouts recommandés. Le fonctionnement correct des pipettes et l'exactitude et la précision des réglages ne sont garantis qu'avec les embouts recommandés.

Les pipettes monocanal

Modèle	Volume [µl]	Exactitude [%]	Précision [%]
AP2	0.2	± 12.0	± 6.0
	1.0	± 2.7	± 1.3
	2.0	± 1.5	± 0.7
AP10	Min	± 4.0	± 2.8
	5.0	± 1.0	± 0.6
	Max	± 0.5	± 0.4
AP20	Min	± 3.0	± 1.5
	10	± 1.0	± 0.5
	Max	± 0.8	± 0.3
AP50	Min	± 2.5	± 2.0
	25	± 1.0	± 0.6
	Max	± 0.8	± 0.4
AP100	Min	± 1.6	± 0.80
	50	± 0.8	± 0.24
	Max	± 0.8	± 0.20

Modèle	Volume [µl]	Exactitude [%]	Précision [%]
AP200	Min	± 1.2	± 0.60
	100	± 0.8	± 0.25
	Max	± 0.6	± 0.20
AP250	Min	± 1.0	± 0.4
	125	± 0.8	± 0.3
	Max	± 0.6	± 0.3
AP1000	Min	± 1.6	± 0.40
	500	± 0.7	± 0.20
	Max	± 0.6	± 0.15
AP5000	Min	± 1.2	± 0.50
	2,500	± 0.6	± 0.20
	Max	± 0.5	± 0.15
AP10000	Min	± 2.5	± 0.6
	5000	± 0.8	± 0.3
	Max	± 0.5	± 0.2

Les pipettes multicanaux

Modèle	Volume [µl]	Exactitude [%]	Précision [%]
AP8-10	Min	±10.0	± 8.0
	5	±4.0	± 2.0
	Max	±2.0	± 1.2
AP8-50	Min	±4.0	± 2.5
	25	±3.0	± 1.2
	Max	±1.6	± 0.6
AP8-200	Min	±3.0	± 1.5
	100	±1.5	± 0.8
	Max	±1.0	± 0.6
AP8-300	Min	±1.6	± 1.5
	150	±1.2	± 1.0
	Max	±1.0	± 0.6

La justesse et la précision sont obtenues à l'aide de la méthode gravimétrique en effectuant au moins 10 mesures d'eau distillée au moyen de pipettes **Assist**, à une température de 20±1°C, conformément à la norme EN ISO 8655.

Le modèle de pipette permet à l'utilisateur de recalibrer lui-même la pipette en suivant la procédure décrite au chapitre 8.

2 – REGLAGE DU VOLUME

Le réglage du volume du liquide prélevé s'effectue à l'aide du bouton poussoir de la pipette (Fig. 1A2) ou du bouton de réglage (Fig. 1B). Le volume indiqué par le volumètre comporte trois chiffres qui doivent être lus du haut vers le bas. La valeur du compteur inférieur affiche une échelle permettant de régler le volume dans l'échelle de valeurs minimale. Exemples des chiffres noirs et rouges:

Les pipettes monocanal

Modèle	Indication du compteur	Volume	Échelon
AP2	$\begin{matrix} 1 \\ 2 \\ 5 \end{matrix}$	1.25 µl	0.002 µl
AP10	$\begin{matrix} 0 \\ 7 \\ 5 \end{matrix}$	7.5 µl	0.02 µl
AP20	$\begin{matrix} 1 \\ 2 \\ 5 \end{matrix}$	12.5 µl	0.02 µl
AP100	$\begin{matrix} 0 \\ 7 \\ 5 \end{matrix}$	75 µl	0.2 µl
AP200	$\begin{matrix} 1 \\ 2 \\ 5 \end{matrix}$	125 µl	0.2 µl
AP1000	$\begin{matrix} 0 \\ 7 \\ 5 \end{matrix}$	0.75 ml	2 µl
AP5000	$\begin{matrix} 1 \\ 2 \\ 5 \end{matrix}$	1.25 ml	10 µl
AP10000	$\begin{matrix} 0 \\ 7 \\ 5 \end{matrix}$	7.5 ml	20 µl

Les pipettes multicanaux

Modèle	Indication du compteur	Volume	Échelon
AP8-10 AP12-10	$\begin{matrix} 0 \\ 3 \\ 5 \end{matrix}$	3.5 µl	0.02 µl
AP8-50 AP12-50	$\begin{matrix} 0 \\ 6 \\ 5 \end{matrix}$	6.5 µl	0.10 µl
AP8-200 AP12-200	$\begin{matrix} 0 \\ 8 \\ 5 \end{matrix}$	85.0 µl	0.20 µl
AP8-300 AP12-300	$\begin{matrix} 2 \\ 5 \\ 0 \end{matrix}$	250.0 µl	1.0 µl

Le changement du volume est possible lorsque l'anneau de frein. Se trouve dans la position inférieure (Fig. 5A) Après

avoir réglé le volume souhaité, il faut déplacer l'anneau de frein vers la position supérieure (Fig. 5B). Afin de régler le volume désiré, utiliser la section inférieure du bouton poussoir de pipetage (Fig. 1A2) ou le bouton de réglage (Fig. 1B) pour augmenter ou réduire le volume. Toutes les procédures de réglage de volume doivent se terminer par la diminution du réglage de volume d'une position juste au-dessus du niveau souhaité à ce niveau. Voici quelques exemples:

- Lorsqu'on veut passer d'un réglage de volume élevé à une valeur plus faible, il convient de tourner le bouton poussoir ou le bouton d'ajustement à vitesse normale, dans le sens des aiguilles d'une montre, pour amener le réglage juste au-dessus du niveau souhaité. On continuera après cela à tourner le bouton très lentement jusqu'à voir apparaître le volume souhaité sur l'affichage numérique du volume.
- Si l'on est allé trop loin, répéter la procédure en augmentant le volume à une position juste au-dessus du volume souhaité puis, une fois de plus, le réduire lentement jusqu'au niveau souhaité.
- Lorsqu'on veut passer d'un réglage de volume faible à une valeur plus élevée, il convient de tourner le bouton poussoir ou le bouton d'ajustement à vitesse normale, dans le sens contraire des aiguilles d'une montre, pour amener le réglage juste au-dessus du niveau souhaité. Réduire et inverser ensuite la rotation et, en revenant en arrière, ajuster lentement jusqu'à voir apparaître le volume souhaité sur l'affichage numérique.
- Là encore, si l'on est allé trop loin, répéter la procédure en augmentant le volume à une position juste au-dessus du volume souhaité puis le réduire lentement jusqu'au niveau souhaité.
- Après avoir réglé le volume souhaité, il faut déplacer l'anneau de frein vers la position supérieure ce qui bloquera l'anneau et empêchera un changement du volume inopportun.

3 – PRÉLÈVEMENT ET DISTRIBUTION DU LIQUIDE

Les pipettes monocanal

Placer un embout sur le manche de la pipette. Voir le chapitre 6 pour le choix de l'embout adéquat. Appuyer sur l'embout pour le fixer fermement en effectuant un léger mouvement de rotation.

Les pipettes multicanaux

En montant les cônes sur les embouts, il faut appuyer la pipette sur les cônes placés dans la boîte, jusqu'à ce que les embouts s'enfoncent de 1.5mm environ. Une suspension souple des embouts permet de faire un raccordement étanche des cônes sur les embouts sans que les mouvements rotatifs soient nécessaires. Pendant la fixation des cônes, la pipette doit être maintenue dans une position verticale.

Important: ne jamais prélever de liquides dans une pipette Assist sans l'avoir au préalable équipé d'un embout.

Prélèvement

Appuyer sur le bouton poussoir de la pipette jusqu'à la première butée positive (Fig. 2A). Tout en maintenant la pipette verticalement, plonger l'extrémité de l'embout dans l'échantillon de liquide. La profondeur à laquelle l'embout doit être immergé dans l'échantillon de liquide dépend du modèle.

Modèle	Profondeur d'immersion [mm]
AP2	≤ 1
AP10	≤ 1
AP20, AP50, AP100	2 - 3
AP200, AP250, AP1000	2 - 3
AP5000	3 - 6
AP10000	5 - 7

- Relâcher le bouton poussoir de la pipette lentement et en douceur pour prélever l'échantillon (Fig. 2B). Attendez une seconde puis retirez l'embout du liquide. Si l'embout de la pipette n'est pas immergée conformément à la profondeur recommandée ou si le bouton poussoir de la pipette est relâché trop rapidement, de l'air risque de pénétrer à l'intérieur de l'embout jetable.

Eviter de toucher l'orifice de l'embout.

Distribution:

- Placer l'extrémité de l'embout contre la paroi interne du récipient à un angle de 10° à 40° degrés.
- Appuyer doucement sur le bouton poussoir de la pipette jusqu'à la première butée (Fig. 2C). Attendre une seconde.
- Appuyer doucement sur le bouton poussoir de la pipette jusqu'à la deuxième butée afin d'expulser le restant de liquide (Fig. 2D).
- Tout en relâchant complètement le bouton poussoir de la pipette, retirer la pipette en tirant sur l'embout contre la paroi interne du récipient de destination.

- Relâcher le bouton poussoir jusqu'à ce qu'il revienne à sa position initiale (Fig. 2E).
- Ejecter l'embout en appuyant sur le bouton de l'éjecteur de l'embout (Fig. 2F). Ne pas oublier de changer d'embout à chaque fois qu'un nouvel échantillon de liquide doit être utilisé.

Filtres

Un filtre échangeable placé dans un compartiment dans la partie inférieure du manche est utilisé pour les pipettes de 5000 µl et 10000 µl (Fig. 3L). Ce filtre permet d'empêcher que le liquide prélevé ne pénètre dans le manche et, ainsi, qu'il contamine l'intérieur du manche et du piston. L'utilisation du filtre est particulièrement important s'agissant de prélever et de distribuer d'importants volumes de liquide.

Si le filtre est mouillé au cours du prélèvement, un nouveau filtre doit être installé.

4 – PRE-RINCAGE DU CÔNE

En cas de prélèvement de liquides à plus grande viscosité ou à tension de surface plus faible que l'eau (sérums ou solvants organiques par exemple), un film de liquide se forme sur la paroi interne de l'embout de la pipette. Ce film peut fausser la valeur du dosage. Dans la mesure où le film demeure relativement le même au cours des opérations successives de pipetage réalisées avec le même embout, cette source d'erreur peut être éliminée en formant le film avant le transfert du premier échantillon. Pour cela, un échantillon doit être prélevé et éjecté dans le même récipient. Le film désormais formé, un plus grand degré de précision et de réparabilité pourra être obtenu pour les échantillons suivants.

Cette opération de pré-rinçage devra être répétée en cas de modification du volume à prélever ou d'utilisation d'un nouvel embout.

5 – LIQUIDES DENSES ET VISQUEUX

Les spécifications **Assist** d'exactitude et de précision concernent le prélèvement d'eau distillée. La manipulation des liquides dont les qualités physiques - densité, viscosité et tension de surface - seraient significativement différentes de celles de l'eau peuvent nécessiter un ajustement du volume au moyen de la méthode gravimétrique. La marge d'erreur due à la manipulation de liquides lourds ou visqueux est en principe négligeable si le prélèvement est effectué lentement et avec soin. Il est extrêmement important de donner le temps aux liquides de réagir au changement de pression

en maintenant la pipette dans sa position initiale pendant au moins deux secondes après le prélèvement et le mouvement d'éjection.

Si, dans des cas extrêmes, cette méthode de fonctionnement ne vous permet pas d'obtenir des valeurs exactes, un ajustement pourra être opéré comme suit:

$$\text{Corr. val.} = 2 \times \text{val. nom.} \cdot \frac{m}{\gamma}$$

m – poids de l'échantillon

γ – densité du liquide

Répéter cette opération et corriger si nécessaire. Noter la valeur corrigée pour de nouveaux prélèvements du même type de liquide.

6 – CÔNES DE PRELEVEMENT

Les embouts recommandés sont fabriqués en polypropylène haute performance et leur qualité garantit l'exactitude et la précision propres à **Assist**. Un contrôle strict est exercé tout au long du processus de fabrication afin de garantir le plus haut degré de qualité.

Les valeurs d'exactitude et de précision fournies ne sont garanties qu'en cas d'utilisation d'embouts recommandés. L'utilisation d'embouts de qualité inférieure affectera sérieusement les performances des pipettes **Assist**.

Embouts 10

Ces embouts sont utilisés pour des volumes compris entre 0.1 μl et 10 μl . Ils sont utilisés avec les modèles AP2, AP10, AP8-10 et AP12-10.

Embouts 200

Ces embouts sont utilisés pour des volumes compris entre 2 μl et 200 μl . Ils sont utilisés avec les modèles AP20, AP50, AP100, AP200, AP8-50, AP12-50, AP8-200 et AP12-200.

Embouts 300

Ces embouts sont utilisés pour des volumes compris entre 50 μl et 300 μl . Ils sont utilisés avec le modèle AP250, AP8-300 et AP12-300.

Embouts 1000

Ces embouts sont utilisés pour des volumes compris entre 100 μl et 1000 μl . Ils sont utilisés avec le modèle AP1000.

Embouts 5000

Ces embouts sont utilisés pour des volumes compris entre 500 μl et 5000 μl . Ils sont utilisés avec le modèle AP5000.

Embouts 10000

Ces embouts sont utilisés pour des volumes compris entre 1000 μl et 10000 μl . Ils sont utilisés avec le modèle AP10000.

7 – RECOMMANDATIONS

Le respect des recommandations suivantes garantira une précision et une exactitude maximales des échantillonnages de liquides.

- Veiller à manipuler l'**Assist** lentement et en douceur.
- La profondeur d'immersion de l'embout dans l'échantillon ne doit pas dépasser le minimum nécessaire et doit demeurer constante au cours du prélèvement.
- L'**Assist** doit être maintenue en position verticale.
- Changer l'embout en cas de modification de la valeur du volume ou de prélèvement d'un liquide différent.
- Changer l'embout en cas de présence d'une goutte à l'extrémité de l'embout après l'opération précédente de prélèvement.
- Chaque nouvel embout doit être pré-rincé avec le liquide dont le prélèvement doit être effectué.
- Le liquide ne doit jamais pénétrer à l'intérieur du manche de l'**Assist**. Pour empêcher cela:
 - Appuyer sur le bouton poussoir de la pipette et le relâcher, le tout lentement et en douceur.
 - Ne jamais tenir la pipette à l'envers.
 - Ne jamais poser la pipette à plat lorsque l'embout contient du liquide.
- Ne jamais tenter d'utiliser un volume plus important que le maximum recommandé.
- En cas de prélèvement de liquides dont la température diffère de la température ambiante, il est recommandé de pré-rincer l'embout plusieurs fois avant utilisation.
- Ne pas pipeter de liquides dont la température est supérieure à 70°C.
- En cas de prélèvement d'acides ou de solutions corrosives émettrices de vapeur, il est recommandé de démonter le manche, de rincer le piston et d'effectuer un assemblage étanche avec de l'eau distillée.

8 – RECALIBRAGE

Les pipettes **Assist** sont calibrées à l'aide de la méthode gravimétrique avec de l'eau distillée, à une température de 20 \pm 1°C, conformément à la norme EN ISO 8655.

Si, au cours d'une opération de pipetage, vous constatez que l'erreur de précision (différence entre le volume réel prélevé et le volume fixé) dépasse la valeur admissible précisée dans le tableau du chapitre I, la pipette devra être recalibrée. Il conviendra tout d'abord de vérifier que les conditions suivantes ont été respectées pour déterminer l'erreur:

- la température ambiante et la température de la pipette, des embouts et de l'eau sont identiques,
- la densité du liquide utilisé est proche de celle de l'eau distillée,
- une balance à la sensibilité appropriée a été utilisée,

Volume vérifié [µl]	Sensibilité de la balance [mg]
0.1 - 10	≤0.001
10 - 100	≤0.01
>100	≤0.1

- le facteur de conversion mg/µl a été pris en compte,
- les conditions décrites aux chapitres 3 et 4 ont été respectées.

Si les conditions ci-dessus sont respectées et l'erreur de précision, pour le volume choisi, tel que précisé au chapitre I, dépasse la valeur admissible, la pipette devra être recalibrée.

Le recalibrage peut être effectué moyennant un tour complet de la clé vers la droite ou vers la gauche uniquement.

Conditions de recalibrage:

- la température ambiante et la température de la pipette, des embouts et de l'eau doivent être comprises entre 20 et 25°C et stabilisées, au cours du pesage, dans une marge de $\pm 0.5^\circ\text{C}$,
- les mesures doivent être effectuées avec de l'eau distillée,
- la sensibilité de la balance doit être adaptée au volume à mesurer.

Procédure de recalibrage:

- Régler le volume de la dose en fonction du volume de la pipette et conformément aux valeurs du tableau suivant:

As pipetas de canal único

Modèle	Capacité de la pipette [µl]	Volume fixé [µl]	Valeurs admissibles [µl]	Changement du volume pour un tour complet de la clé de calibrage ΔV [µl] (24 échelons)
AP2	0.1 - 2	0.2	0.176 - 0.224	0.06
AP10	0.5 - 10	0.5	0.48 - 0.52	0.33
AP20	2 - 20	2	1.94 - 2.06	0.63
AP50	5 - 50	5	4.875 - 5.125	2.50
AP100	10 - 100	10	9.84 - 10.16	2.50
AP200	20 - 200	20	19.76 - 20.24	6.30
AP250	50 - 250	50	49.5 - 50.5	6.30
AP1000	100 - 1000	100	98.4 - 101.6	25.00
AP5000	500 - 5,000	500	494 - 506	125.00
AP10000	1,000 - 10,000	1,000	975 - 1,025	250.00

As pipetas multicanal

Modèle	Capacité de la pipette [µl]	Volume fixé [µl]	Valeurs admissibles [µl]	Changement du volume pour un tour complet de la clé de calibrage ΔV [µl] (24 échelons)
AP8-10 AP12-10	0.5 - 10	0.5	0.45 - 0.55	0.33
AP8-50 AP12-50	5 - 50	5	4.8 - 5.2	1.67
AP8-200 AP12-200	20 - 200	20	19.4 - 20.6	6.30
AP8-300 AP12-300	50 - 300	50	49.2 - 50.8	10.00

- Effectuer 5 séries de prélèvement (chaque série doit comprendre un prélèvement par tous les canaux), peser chaque prélèvement et calculer la valeur moyenne des prélèvements.
- Calculer le volume moyen prélevé en µl, en multipliant la volume moyen prélevé [mg] par le coefficient de densité de l'eau distillée [µl/mg]. Celui-ci dépend de la température et de la pression, comme indiqué dans le tableau ci-dessous:

Température [°C]	Pression [kPa]		
	95.0	101.3	105.0
20	1.0028	1.0029	1.0029
21	1.0030	1.0031	1.0031

Température [°C]	Pression [kPa]		
	95.0	101.3	105.0
22	1.0032	1.0033	1.0033
23	1.0034	1.0035	1.0036
24	1.0037	1.0038	1.0038
25	1.0039	1.0040	1.0040

Si le volume moyen prélevé dépasse la valeur admissible, la procédure suivante doit être suivie :

- Enlever le bouton poussoir de la pipette (Fig. 4A).

Attention: Le bouton poussoir de la pipette se compose de deux parties: la partie inférieure de réglage du volume (Fig. 1A2) et le bouton supérieur (Fig. 1A1). Une fois le bouton poussoir de la pipette enlevé, les deux pièces se séparent.

- Tout en maintenant le bouton de réglage du volume pour empêcher sa rotation, insérer la clé de calibrage dans les canaux de la vis de calibrage (Fig. 4B).
- Tourner la clé dans le sens des aiguilles d'une montre pour diminuer le volume prélevé ou dans le sens inverse des aiguilles d'une montre pour l'augmenter. Un tour complet de la clé de calibrage permettra d'obtenir le volume de prélèvement de la pipette indiqué dans le tableau (Fig. 4C).
- Enlever la clé et réinstaller le bouton poussoir de la pipette (Fig. 4D). Le bouton poussoir de la pipette doit être installé en plaçant tout d'abord la partie inférieure de réglage sur le manche (Fig. 1A2) puis le bouton supérieur (Fig. 1A1).

Déterminer le volume moyen prélevé. La valeur du volume moyen doit être comprise dans l'éventail des valeurs admissibles précisées dans le tableau. Si le volume dépasse les valeurs mentionnées, la procédure de recalibrage de la pipette devra être répétée.

En cas de prélèvement de liquides dont les propriétés physiques diffèrent considérablement de celles de l'eau, suivre la procédure décrite au chapitre 5.

9 – RÉSOLUTION DES PROBLÈMES

Si vous constatez un mauvais fonctionnement de la pipette, nous vous invitons à en identifier la cause et à éliminer la défaillance. Le remplacement des pièces ne devrait avoir lieu qu'occasionnellement et ne devrait pas être nécessaire en cas d'utilisation normale de la pipette.

Des gouttes de liquide demeurent à l'intérieur de l'embout.

- Le liquide est trop rapidement éjecté.

Diminuez la vitesse de pression du bouton poussoir.

- Du fait d'une utilisation prolongée, l'embout a tendance à s'humidifier davantage.

Remplacez l'embout.

Apparition de bulles d'air dans le liquide prélevé.

- L'embout n'est pas immergé à une profondeur suffisante.
Immergez l'embout plus en profondeur comme précisé dans le manuel d'instructions.
- Vous n'avez pas pressé l'embout suffisamment fermement contre le manche de la pipette.
Pressez l'embout suffisamment fermement.
- L'embout est endommagé ou usé du fait d'une utilisation prolongée.
Remplacez l'embout.

La pipette n'aspire pas bien le liquide ou du liquide s'échappe de l'embout.

- Vous n'avez pas pressé l'embout suffisamment fermement contre le manche de la pipette.
Pressez l'embout suffisamment fermement.
- L'écrou du manche (Fig. 3F) des modèles AP2 à AP1000 est desserré.
Resserrez l'écrou du manche.
- La surface d'étanchéité du manche est fissurée ou rayée. Retirez l'éjecteur de l'embout. Dévissez l'écrou du manche, vérifiez le manche et l'assemblage du piston. Remplacez les pièces endommagées (voir chapitre 12). Serrez fermement l'écrou à la main lorsque vous remontez la pipette.
Sur les modèles AP2, AP10 et AP20, l'endommagement du manche peut également provoquer l'endommagement de l'assemblage du piston. Remplacez les pièces endommagées (voir chapitre 12).
Serrez fermement l'écrou à la main lorsque vous remontez la pipette.
Pour retirer l'éjecteur de l'embout des modèles AP5000 et AP10000, ôtez le bouton poussoir de l'éjecteur de l'embout (Fig. 3N) et, à l'aide d'un tournevis, dévissez l'éjecteur de l'embout en tournant dans le sens inverse des aiguilles d'une montre.
- Endommagement du piston ou du joint d'étanchéité du fait d'une utilisation prolongée avec des liquides agressifs.

Démontez la pipette en suivant les instructions ci-dessus. Remplacez le piston, le joint et la rondelle d'étanchéité (voir chapitre 12). Rincez l'intérieur du manche avec de l'eau distillée et faites sécher.

Lubrifiez le joint et la rondelle d'étanchéité avec le lubrifiant fourni avec chaque pipette.

Une procédure de calibrage est requise à la suite de tout changement de piston.

Note: les pièces des modèles AP2 et AP10 doivent être lubrifiées de manière homogène avec un minimum de lubrifiant.

- Montage incorrect de la pipette.

Démontez la pipette et remontez-la en suivant chaque étape de la procédure (Fig. 3).

- Absence de lubrifiant sur les éléments d'étanchéité.

Retirez l'éjecteur de l'embout. Dévissez l'écrou du manche, retirez le manche, l'assemblage du piston, le joint et la rondelle d'étanchéité. Rincez les pièces retirées dans de l'eau distillée et séchez-les soigneusement. Lubrifiez légèrement les surfaces internes du joint et de la rondelle d'étanchéité au moyen du lubrifiant fourni avec chaque pipette. Remontez la pipette en suivant la procédure inverse.

- Contamination de l'intérieur de la pipette causée par une utilisation prolongée avec des liquides chimiques ou par la pénétration de liquide à l'intérieur de la pipette.

Retirez l'éjecteur de l'embout. Dévissez l'écrou du manche, retirez le manche, l'assemblage du piston, le joint et la rondelle d'étanchéité. Rincez les pièces retirées dans de l'eau distillée et séchez-les soigneusement. Lubrifiez légèrement les surfaces internes du joint et de la rondelle d'étanchéité au moyen du lubrifiant fourni avec chaque pipette. Remontez la pipette en suivant la procédure inverse.

Si vous constatez une augmentation de la force de la pipette, soit la conséquence possible de stérilisations répétées de la pipette en autoclave:

Retirez l'éjecteur de l'embout. Dévissez l'écrou du manche, retirez le manche, l'assemblage du piston, le joint et la rondelle d'étanchéité. Rincez les pièces retirées dans de l'eau distillée et séchez-les soigneusement. Lubrifiez légèrement les surfaces internes du joint et de la rondelle d'étanchéité au moyen du lubrifiant fourni avec chaque pipette. Remontez la pipette en suivant la procédure inverse.

Note: toutes les pièces de l'autoclave de la pipette peuvent être autoclavées (voir chapitre 10).

La stérilisation en autoclave du manche des modèles de AP5000 et de AP10000 doit être effectuée sans le filtre.

Prière de contacter votre représentant **Assist** si les interventions préconisées ci-dessus ne vous permettent pas de résoudre le problème constaté.

Avant de la renvoyer, assurez-vous que la pipette n'est pas contaminée par des agents chimiques corrosifs, radioactifs ou microbiologiques qui pourraient constituer une menace au cours du transport et de la réparation. Prière donc, dans la mesure du possible, de nettoyer la pipette.

10 – NETTOYAGE ET STERILISATION

Nettoyage:

Les surfaces externes du bouton poussoir de la pipette, du bouton de l'éjecteur, de la poignée et du bouton de réglage peuvent être nettoyées au moyen d'un tissu imbibé d'alcool isopropylique. Les autres pièces retirées de la pipette lors de son démontage peuvent être nettoyées avec de l'eau distillée ou de l'alcool isopropylique.

Attention:

Avant d'utiliser des produits de nettoyage autres que ceux recommandés par le fabricant, vérifiez les tableaux de compatibilité des matières dont la pipette est constituée : PP, PC, POM, PA, PPS, PVDF.

Stérilisation:

La pipette peut être stérilisée en autoclave, à une température de 121°C, pendant 20 minutes. Après la stérilisation, la pipette doit être séchée et ramenée à la température ambiante.

Il est recommandé:

- d'autoclaver la pipette lui faisant tout d'abord subir un cycle sous vide et de séchage,
- de dévisser légèrement l'écrou de fixation du manche sur les modèles AP2 à AP1000, AP5000 et AP10000 avant la stérilisation. Ces pièces doivent être de nouveau fermement vissées après la stérilisation.
- de dévisser légèrement l'écrou fixant le module avant la stérilisation. Après la stérilisation, l'écrou doit être resserré.

La précision des résultats ne devrait pas être affectée si le processus de pipetage et la stérilisation en autoclave sont conduits conformément aux instructions de ce manuel.

Une légère altération de la précision du dosage pouvant se produire, il est recommandé :

- de vérifier le calibrage de la pipette après le premier, le troisième et le cinquième cycles de stérilisation en autoclave puis après tous les 10 cycles.

La pipette est résistante aux rayons UV, ce qui a été prouvé par nos tests. Il est recommandé de ne pas dépasser la longueur de 50 cm entre une source de rayonnement et un élément exposé aux rayons. Une exposition longue et intense aux rayons UV pourrait entraîner des légères modifications de l'aspect esthétique des éléments de couleur, sans altérer des paramètres du pipeteur.

11 – JEUX DE PIPETTES ET ACCESSOIRES

Jeux de pipettes:

Les jeux de pipettes fournis comprennent:

- une pipette,
- un manuel d'instruction,
- une clé de calibrage,
- ajusteurs de longueur de l'éjecteur de l'embout (pour les modèles AP2 à AP1000),
- capuchon d'éjecteur (pour les modèles AP2, AP10, AP5000 et AP10000)
- filtres (pour les modèles AP5000 et AP10000),
- lubrifiant
- bagues d'identification couleur

Accessoires:

Description	N° cat.
Support de carrousel	BS-010522
Support multiple	BS-010523
Support à 1 position	BS-010524
Support à 4 positions	BS-010525

12 – PIÈCES DÉTACHÉES

Pièces présentées aux Fig. 3, 4 et 5:

A: Bouton poussoir de la pipette de prélèvement

A1: Bouton poussoir

A2: Partie inférieure de réglage de volume

B: Bouton de réglage

C: Arbre

D: Ejecteur

F: Erou en bout d'arbre

G: Assemblage du piston

H: Douille d'espacement

I: Rondelle d'étanchéité

J: Joint d'étanchéité

K: Clé de calibrage

L: Filtre

M: Capuchon d'éjecteur

N: Bouton poussoir de l'éjecteur

P: Bague d'identification

vous pouvez les obtenir chez le représentant **BIOSAN**.

En commandant les pièces, préciser la désignation et le type de la pipette.

Veillez contacter votre bureau local **BIOSAN** via le site Internet www.biosan.lv

Attention: Le remplacement du piston nécessite la mise en œuvre d'une procédure de calibrage telle que décrite au chapitre 8.

Tous droits réservés. Les produits décrits dans le présent mode d'emploi sont disponibles dans un cadre limité et sont soumis à des changements techniques. Les erreurs sont possibles.

BIOSAN se réserve le droit d'améliorer ou de modifier ses produits sans en aviser quiconque au préalable.

CONTENIDO

- 1 – INTRODUCCIÓN
- 2 – SELECCIÓN DE VOLUMEN
- 3 – ASPIRACIÓN Y DOSIFICACIÓN DEL LÍQUIDO
- 4 – PRE-LAVADO
- 5 – LÍQUIDOS DENSOS Y VISCOSOS
- 6 – PUNTAS
- 7 – RECOMENDACIONES
- 8 – RECALIBRACIÓN
- 9 – SOLUCIÓN DE PROBLEMAS MENORES
- 10 – LIMPIEZA Y ESTERILIZACIÓN
- 11 – JUEGO DE PIPETAS Y ACCESORIOS
- 12 – PIEZAS DE REPUESTO

1 – INTRODUCCIÓN

Las pipetas **Assist** son un instrumento volumétrico diseñado para medir y transferir líquidos de manera precisa y segura. Puede medir y transferir, según el modelo, volúmenes desde 0.1 µl a 10000 µl.

Las Pipetas **Assist** se fabrican en cuatro rangos de volúmenes de: 1 µl a 10 µl, de 5 µl a 50 µl, de 20 µl a 200 µl o de 50 µl a 300 µl.

Las pipetas **Assist** vienen con un indicador digital de volumen. El volumen seleccionado aparece en la ventanilla de visualización del mango. La selección de volumen a dispensar puede ajustarse con el tornillo del botón pulsado (fig. 1A2) o girando el volante del ajuste de volumen (fig. 1B) hacia la dirección adecuada.

Las pipetas **Assist** utilizan puntas ("tips") de polipropileno, de un solo uso, (fig. 1E). El líquido a dispensar es aspirado dentro de las puntas, las cuales se insertan en el cono de la pipeta,

Importante: El uso de puntas desechables garantiza la seguridad y elimina el riesgo de contaminación de la muestra.

Para protección del usuario con las puntas contaminadas, las pipetas **Assist** están equipadas con un expulsor de puntas (fig. 1D).

El expulsor de puntas está diseñado para que el usuario pueda desmontar, ajustar la longitud para utilizar diferentes tipos de puntas disponibles en el mercado. En la utilización de tubos de diámetro pequeño es necesario remover el inyector de puntas.

Ajuste de la Longitud del Inyector de puntas.

El eyector de la pipeta de un solo canal

- En las pipetas de una capacidad de 2 a 1000 µl. (fig. 5A):

Para regular el espaciador "H" y modificar la longitud del expulsor de puntas de +1 ó +2 mm, se coloca un espaciador estándar "H0" el cual toma la forma del espaciador a intercambiar.

- En las pipetas de una capacidad de 5000 y 10000 µl. (fig. 5B):

La longitud del expulsor de punta se regulará atornillando o desatornillando su vástago. Para alargar el expulsor se dará vuelta al destornillador en el sentido contrario al de las manecillas de un reloj; para reducir su longitud se le hará girar en el mismo sentido que las manecillas de un reloj. El intervalo de esta regulación es de 5 mm.

Si el método descrito más arriba para el ajuste del expulsor de punta no es suficiente o el diámetro de la abertura del expulsor es demasiado grande para expulsar la punta, es preciso poner sobre el expulsor el accesorio "M" (fig. 5C).

- En las pipetas de una capacidad de 2 a 10 μl . (fig. 5D)

Las pipetas de 2 μl a 10 μl . pueden requerir el uso de una tapa de expulsores "M" para quitar eficazmente las puntas de diferentes proveedores que están en el mercado. La tapa, suministrada con la pipeta, hay que colocarla sobre el expulsor en el extremo del cuerpo para que la tapa abrace el expulsor.

El eyector de la pipeta multicanal

La construcción de la pipeta posibilita el cambio de la posición del módulo multicanal y la expulsión de las puntas en el margen de 360° lo que permite la elección de la más cómoda posición para el relleno de las microplacas. Se recomienda el giro del módulo en el sentido conforme con las manecillas del reloj. Debido a la larga carrera del eyector en la pipeta multicanal, el ajuste de su longitud no es necesario.

Las pipetas **Assist** son un instrumento de alta calidad con excelente exactitud y precisión. Los valores de exactitud y precisión se muestran en la siguiente tabla, han sido determinados utilizando las puntas compatibles y sólo se garantizan con el uso de las mismas.

Las pipetas de un solo canal

Modelo	Volumen [μl]	Exactitud [%]	Precisión [%]
AP2	0.2	± 12.0	± 6.0
	1.0	± 2.7	± 1.3
	Max 2.0	± 1.5	± 0.7
AP10	Min 0.5	± 4.0	± 2.8
	5.0	± 1.0	± 0.6
	Max 10.0	± 0.5	± 0.4
AP20	Min 2	± 3.0	± 1.5
	10	± 1.0	± 0.5
	Max 20	± 0.8	± 0.3
AP50	Min 5	± 2.5	± 2.0
	25	± 1.0	± 0.6
	Max 50	± 0.8	± 0.4
AP100	Min 10	± 1.6	± 0.80
	50	± 0.8	± 0.24
	Max 100	± 0.8	± 0.20
AP200	Min 20	± 1.2	± 0.60
	100	± 0.8	± 0.25
	Max 200	± 0.6	± 0.20

Modelo	Volumen [μl]	Exactitud [%]	Precisión [%]
AP250	Min 50	± 1.0	± 0.4
	125	± 0.8	± 0.3
	Max 250	± 0.6	± 0.3
AP1000	Min 100	± 1.6	± 0.40
	500	± 0.7	± 0.20
	Max 1,000	± 0.6	± 0.15
AP5000	Min 500	± 1.2	± 0.50
	2,500	± 0.6	± 0.20
	Max 5,000	± 0.5	± 0.15
AP10000	Min 1,000	± 2.5	± 0.6
	5000	± 0.8	± 0.3
	Max 10,000	± 0.5	± 0.2

Las pipetas multicanal

Modelo	Volumen [μl]	Exactitud [%]	Precisión [%]
AP8-10 AP12-10	Min 0.5	± 10.0	± 8.0
	5	± 4.0	± 2.0
	Max 10	± 2.0	± 1.2
AP8-50 AP12-50	Min 5	± 4.0	± 2.5
	25	± 3.0	± 1.2
	Max 50	± 1.6	± 0.6
AP8-200 AP12-200	Min 20	± 3.0	± 1.5
	100	± 1.5	± 0.8
	Max 200	± 1.0	± 0.6
AP8-300 AP12-300	Min 50	± 1.6	± 1.5
	150	± 1.2	± 1.0
	Max 300	± 1.0	± 0.6

La exactitud y la precisión se obtuvieron por método gravimétrico, con agua destilada, a temperatura estabilizada entre 19 y 21°C y repitiendo como mínimo 10 mediciones. Dichos valores incluyen todos los componentes de error resultantes, incluyendo el debido al calor normal de la mano y al intercambio de puntas. Estas especificaciones fueron obtenidas utilizando puntas compatibles.

Tests de verificación: La verificación volumétrica de las pipetas **Assist** se basan en los tests gravimétricos extensivos, de acuerdo a la norma EN ISO 8655.

La pipeta puede ser calibrada por el propio usuario siguiendo los pasos indicados en la sección 8.

2 – SELECCIÓN DEL VOLUMEN

La selección del volumen para aspiración del líquido puede realizarse utilizando el tornillo del botón pulsador (fig. 1A2) o la rueda de graduación del volumen (fig. 1B). El volumen mostrado en el indicador está compuesto de tres dígitos que

hay que leer de arriba hacia abajo. Además, en la parte más baja del indicador hay una escala que permite el ajuste del volumen en el rango de graduación mínima.

Las pipetas de un solo canal

Modelo	Indication du contador	Volumen ajustado	División elemental			
AP2	<table border="1"><tr><td>1</td></tr><tr><td>2</td></tr><tr><td>5</td></tr></table>	1	2	5	1.25 µl	0.002 µl
1						
2						
5						
AP10	<table border="1"><tr><td>0</td></tr><tr><td>7</td></tr><tr><td>5</td></tr></table>	0	7	5	7.5 µl	0.02 µl
0						
7						
5						
AP20	<table border="1"><tr><td>1</td></tr><tr><td>2</td></tr><tr><td>5</td></tr></table>	1	2	5	12.5 µl	0.02 µl
1						
2						
5						
AP100	<table border="1"><tr><td>0</td></tr><tr><td>7</td></tr><tr><td>5</td></tr></table>	0	7	5	75 µl	0.2 µl
0						
7						
5						
AP200	<table border="1"><tr><td>1</td></tr><tr><td>2</td></tr><tr><td>5</td></tr></table>	1	2	5	125 µl	0.2 µl
1						
2						
5						
AP1000	<table border="1"><tr><td>0</td></tr><tr><td>7</td></tr><tr><td>5</td></tr></table>	0	7	5	0.75 ml	2 µl
0						
7						
5						
AP5000	<table border="1"><tr><td>1</td></tr><tr><td>2</td></tr><tr><td>5</td></tr></table>	1	2	5	1.25 ml	10 µl
1						
2						
5						
AP10000	<table border="1"><tr><td>0</td></tr><tr><td>7</td></tr><tr><td>5</td></tr></table>	0	7	5	7.5 ml	20 µl
0						
7						
5						

Las pipetas multicanal

Modelo	Indication du contador	Volumen ajustado	División elemental			
AP8-10 AP12-10	<table border="1"><tr><td>0</td></tr><tr><td>3</td></tr><tr><td>5</td></tr></table>	0	3	5	3.5 µl	0.02 µl
0						
3						
5						
AP8-50 AP12-50	<table border="1"><tr><td>0</td></tr><tr><td>6</td></tr><tr><td>5</td></tr></table>	0	6	5	6.5 µl	0.10 µl
0						
6						
5						
AP8-200 AP12-200	<table border="1"><tr><td>0</td></tr><tr><td>8</td></tr><tr><td>5</td></tr></table>	0	8	5	85.0 µl	0.20 µl
0						
8						
5						
AP8-300 AP12-300	<table border="1"><tr><td>2</td></tr><tr><td>5</td></tr><tr><td>0</td></tr></table>	2	5	0	250.0 µl	1.0 µl
2						
5						
0						

3 – ASPIRACIÓN Y DOSIFICACIÓN DEL LÍQUIDO

Las pipetas de un solo canal

Para seleccionar una punta adecuada, ver el apartado 6.

Al insertar la punta en el cuerpo de la pipeta hay que aplicar una fuerte presión con movimiento giratorio para asegurar la hermeticidad.

Las pipetas multicanal

Presionando el cuerpo de la pipeta contra la punta en la caja hasta el desplazamiento del cuerpo hacia el interior de 1.5 mm - se acoplan ambos. La suspensión elástica del cuerpo asegura la hermeticidad de la punta en el cuerpo sin necesidad de hacer los movimientos hacia los lados. Se monta la punta manteniendo la pipeta en posición vertical.

Advertencia: Nunca utilice la pipeta Assist con líquidos sin punta.

Aspiración:

- Apretar el botón pulsador hasta el primer tope (fig. 2A).
- Con la pipeta en posición vertical sumergir la punta en la muestra. La profundidad a la que se sumerge la punta en el líquido depende del modelo:

Modelo	Profundidad [mm]
AP2	≤ 1
AP10	≤ 1
AP20, AP50, AP100	2 - 3
AP200, AP250, AP1000	2 - 3
AP5000	3 - 6
AP10000	5 - 7

- Liberar el botón pulsador lenta y suavemente para aspirar la muestra (fig. 2B).
- Esperar un segundo y retirar la punta del líquido.

Limpiar la parte exterior de la punta de las gotas de líquido. Al sumergir la punta a la profundidad menor que la recomendada o al librar rápidamente el botón pulsador puede entrar el aire a la punta.

Evite tocar el orificio de la punta.

Dosificación:

- Colocar la parte inferior de la punta contra la pared interior del recipiente, con un ángulo entre 10° y 40°.
- Apretar el botón pulsador suavemente hasta el primer tope (fig. 2C). Esperar un segundo.

- Apretar el botón pulsador hasta el segundo tope, para vaciar el resto del líquido (fig. 2D).
- Manteniendo apretado el botón pulsador en el segundo tope, retirar la pipeta deslizando la punta por la pared interior del recipiente. Soltar luego el botón pulsador (fig. 2E).
- Expulsar la punta apretando el botón del expulsor de punta (fig. 2F). Es necesario cambiar la punta solamente en el caso de tomar la muestra de otro líquido o cuando se cambia el volumen.

Filtros

Las pipetas de 5000 µl y 10000 µl. llevan un filtro, insertado en un asiento en la parte inferior del cuerpo de la pipeta (fig. 3L), para evitar que el líquido penetre dentro del cuerpo, ensuciando este y el émbolo. Se recomienda el uso del filtro especialmente cuando se toman grandes cantidades de líquido.

En el caso de mojarse el filtro, debe ser cambiado por uno nuevo.

4 – PRE-LAVADO

Al pipetear líquidos de alta viscosidad o densidad diferentes a las del agua, p. ej., disolventes orgánicos, se crea una capa superficial de líquido en la pared interior de la punta. Esta capa puede ser causa de error. Dado que dicha capa se mantiene relativamente constante en operaciones sucesivas de pipeteado con la misma punta, puede evitarse el error creando la capa superficial antes del pipeteado de la primer muestra. Esto se logra aspirando la muestra y dispensándola nuevamente en el mismo recipiente. Hecho esto las muestras subsiguientes tendrán mayor exactitud y repetibilidad. Es conveniente repetir esta operación de enjuague cada vez que se modifique el volumen o se utilice una nueva punta.

5 – LIQUIDOS DENSOS Y VISCOSOS

En el caso de líquidos densos o viscosos, es posible compensar el error ajustando el volumen por encima del requerido.

En el caso de líquidos menos densos que el agua, puede compensarse ajustando el mismo por debajo del valor requerido.

Ejemplo: para transferir 10 µl de suero con las pipetas **Assist** AP20, se puede ajustar el volumen a 10 µl y comprobarlo en forma gravimétrica. Si el volumen medido resultara 9,5 µl, podemos aumentar el mismo en 0,5 µl (o sea a 10,5 µl) y medir nuevamente. Podemos repetir las mediciones gravimétricas, ajustando el volumen hacia arriba o hacia abajo hasta

obtener el ajuste exacto para dicha muestra y el volumen requerido. De esta forma queda la pipeta ajustada en forma exacta para las operaciones sucesivas con dicha muestra.

Cuando se dosifican líquidos densos o viscosos, es aconsejable esperar uno o dos segundos más en el primer tope, antes de pipetear el resto del líquido.

6 – PUNTAS

Las puntas compatibles son fabricadas en polipropileno de excelente calidad, bajo un estricto control de producción, garantizando con su uso la precisión y exactitud de las pipetas **Assist**.

Es aconsejable la utilización de las puntas compatibles con las pipetas **Assist**, ya que las especificaciones de exactitud y precisión de las mismas ha sido determinada con dichas puntas. El uso de puntas de calidades inferiores, pueden dañar el cono de las pipetas **Assist**.

Punta 10:

Puntas usadas para tomar cantidades de líquido de 0,1 a 10 µl. Se utilizan con las pipetas AP2, AP10, AP8-10 y AP12-10.

Punta 200:

Puntas usadas para tomar cantidades de líquido de 2 a 200 µl. Se utilizan con las pipetas AP20, AP50, AP100, AP200, AP8-50, AP12-50, AP8-200 y AP12-200.

Punta 300:

Puntas usadas para tomar cantidades de líquido de 50 a 300 µl. Se utilizan con las pipetas AP250, AP8-300 y AP12-300.

Punta 1000:

Puntas usadas para tomar cantidades de líquido de 100 a 1000 µl. Se utilizan con las pipetas AP1000.

Punta 5000:

Puntas usadas para tomar cantidades de líquido de 500 a 5000 µl. Se utilizan con las pipetas AP5000.

Punta 10000:

Puntas usadas para tomar cantidades de líquido de 1000 a 10000 µl. Se utilizan con las pipetas AP10000.

7 – RECOMENDACIONES

Las siguientes recomendaciones facilitan la máxima exactitud y precisión de sus pipetas **Assist**.

- Operar la pipeta **Assist** de manera lenta y suave.

- Sumergir el mínimo posible la punta de la pipeta en la muestra y mantener dicha profundidad durante la aspiración.
- Colocar la pipeta **Assist** en posición vertical.
- Reemplazar la punta cada vez que modifique el ajuste de volumen o cambie de muestra.
- Reemplazar la punta siempre que ésta quede con alguna gota de líquido del pipeteado anterior.
- Cada vez que reemplaze la punta, ésta debe ser enjuagada con el líquido a pipetear.
- El líquido nunca debe entrar dentro del cono de la pipeta **Assist**. Para ello:
 - apretar el botón pulsador lenta y suavemente.
 - nunca gire la pipeta con la parte de arriba hacia abajo.
 - nunca coloque la pipeta en forma horizontal cuando la punta contenga líquido.
- Nunca force la selección de volumen fuera de los límites recomendados.
- Si la temperatura de los líquidos a pipetear es diferente de la del ambiente, se recomienda enjuagar la punta un par de veces antes de usarla.
- No pipetear líquidos con temperatura superior a 70°C.
- Cuando se pipeten ácidos o soluciones corrosivas que producen vapores, se recomienda desmontar el cono de la pipeta y enjuagar el pistón y los sellos con agua destilada al terminar la operación.

8 – RECALIBRACIÓN

La calibración de las pipetas **Assist** se realiza por gravimetría con el uso de puntas compatibles y agua destilada, en una temperatura de 20±1°C, de acuerdo a la norma EN ISO 8655.

Cuando se constate un error de exactitud (diferencia entre la cantidad real y la nominal) de una pipeta, mayor al que se indica en el cuadro del capítulo 1, será necesario proceder a una nueva calibración. Antes de recalibrar deberá comprobarse que al calcular el error se cumplieron los siguientes requisitos:

- La temperatura ambiente, la temperatura de la puntas de la pipeta y el agua o líquido fueron idénticas.
- La densidad del líquido utilizado debe ser semejante a la de agua destilada.
- Balanza de precisión para las mediciones:

Volumen homologado [µl]	Sensibilidad de la balanza [mg]
0.1 - 10	≤0.001
10 - 100	≤0.01
>100	≤0.1

- Factor de conversión de mg/µl
- Conocimiento de las recomendaciones de los apartados 3 y 7.

Cumplidos estos requisitos, si el error de Exactitud en un volumen dado es mayor al indicado en el apartado 1 será necesario proceder a una nueva calibración de la pipeta.

La llave de calibración puede girar solamente de una vuelta entera hacia la derecha o la izquierda.

Requisitos para la recalibración:

- La temperatura ambiente, la temperatura de la punta de la pipeta y el líquido deberán estar entre los 20 y 25°C y permanecer con una exactitud de ±0,5°C
- en las pruebas se usará agua destilada,
- la sensibilidad de la balanza se adecuará al volumen que se quiera verificar.

Procedimiento de Recalibración:

oseleccionar el rango correspondiente a la capacidad de la pipeta, conforme lo indicado en la siguiente tabla:

Las pipetas de un solo canal

Modelo	Rango de capacidad de la pipeta [µl]	Rango de ajuste [µl]	Valor admitido [µl]	Diferencia de volumen a una vuelta entera de la llave de calibración ΔV [µl] (24 unidades elemental)
AP2	0.1 - 2	0.2	0.176 - 0.224	0.06
AP10	0.5 - 10	0.5	0.48 - 0.52	0.33
AP20	2 - 20	2	1.94 - 2.06	0.63
AP50	5 - 50	5	4.875 - 5.125	2.50
AP100	10 - 100	10	9.84 - 10.16	2.50
AP200	20 - 200	20	19.76 - 20.24	6.30
AP250	50 - 250	50	49.5 - 50.5	6.30
AP1000	100 - 1000	100	98.4 - 101.6	25.00
AP5000	500 - 5,000	500	494 - 506	125.00
AP10000	1,000 - 10,000	1,000	975 - 1,025	250.00

Las pipetas multicanal

Modelo	Rango de capacidad de la pipeta [µl]	Rango de ajuste [µl]	Valor admitido [µl]	Diferencia de volumen a una vuelta entera de la llave de calibración ΔV [µl] (24 unidades elemental)
AP8-10 AP12-10	0.5 - 10	0.5	0.45 - 0.55	0.33
AP8-50 AP12-50	5 - 50	5	4.8 - 5.2	1.67
AP8-200 AP12-200	20 - 200	20	19.4 - 20.6	6.30
AP8-300 AP12-300	50 - 300	50	49.2 - 50.8	10.00

- Realizar cinco tomas, pesando y calcular la media de cada una
- Repetir tres veces una serie de tomas por to dos los canales, pesando cada toma, y calcular la media
- Calcular la Media del volumen aspirado en µl, multiplicando la Media de la cantidad aspirada (mg) por el coeficiente de densidad del agua destilada (µl/mg), el cual depende de la temperatura y la presión. Según la siguiente tabla:

Temperatura [°C]	Presión [kPa]		
	95.0	101.3	105.0
20	1.0028	1.0029	1.0029
21	1.0030	1.0031	1.0031
22	1.0032	1.0033	1.0033
23	1.0034	1.0035	1.0036
24	1.0037	1.0038	1.0038
25	1.0039	1.0040	1.0040

- Cuando la Media del volumen aspirado excede el valor permitido se procederá como se indica a continuación:
- Desmontar el pulsador de pipeteo, (fig. 4A),

Atención: El botón pulsador se compone de dos piezas: un tornillo (fig. 1A2) y un botón (fig. 1A1). Desmontando el botón ambas piezas se separan.

- Introducir la llave de calibración en las muescas del tornillo de calibración, (fig. 4B), sujetando al mismo tiempo el botón de graduación del volumen para evitar que cambie de posición,

- Darle vuelta a la llave - hacia la derecha para reducir el volumen o hacia la izquierda para aumentarlo. Con una vuelta completa entera de la llave se aumenta o disminuye en la cantidad que se ha indicado en el cuadro, (fig. 4C),
- Retirar la llave de calibración y montar el botón pulsador. (fig. 4D). Para montar el botón pulsador hay que colocar en el cuerpo primero el tornillo (fig. 1A2) y luego el botón (fig. 1A1).

Calcular nuevamente Media de volumen aspirado que deberá ajustarse a los valores permitidos indicados en la tabla. Si el volumen excede los valores permitidos, se repetirán las operaciones de recalibración.

Cuando las propiedades físicas del líquido manipulado con la pipeta difieren mucho de las del agua se deberá proceder de acuerdo con las indicaciones del apartado 5.

9 – SOLUCIÓN DE PROBLEMAS MENORES

Al constatar el trabajo incorrecto de la pipeta compruebe la causa y elimine el defecto. Al eliminar un defecto siga las siguientes instrucciones en el siguiente orden. El cambio de algunas partes por unos nuevos solo en casos extremos, los cuales no debe producirse bajo condiciones de manejo normales de una pipeta.

Si en la punta quedan las gotas del líquido.

Possible problema Demasiado rápido vaciado de la punta.

Solución Disminuya la velocidad de presión del botón pulsador.

Possible problema Aumento de humidificación de la punta causado por su múltiple uso.

Solución Cambie la punta por una nueva.

Si en el líquido tomado con la punta aparecen las burbujas de aire.

Possible problema Poca profundidad de inmersión de la punta.

Solución Hunda la punta a una profundidad mayor, de acuerdo a las instrucciones

Possible problema Débil colocación de la punta en el cuerpo de la pipeta.

Solución Fíjela mejor.

Possible problema Punta deteriorada o utilizada muchas veces.

Solucion Cámbiela por una nueva.

La pipeta toma el líquido de una manera incorrecta o el líquido sale goteando de la punta.

Posible Problema Débil colocación de la punta en el cuerpo de la pipeta.

Solución Fíjela mejor.

Posible problema Tuerca de conexión floja (fig. 3F). en los modelos AP2 al AP1000

Solución Ajuste la tuerca de conexión.

Posible problema Superficie del cuerpo rota o rayada.

Solución Retire el expulsor, afloje la tuerca de conexión, verifique el cuerpo y el pistón de la pipeta. Reemplace los elementos deteriorados (ver apartado 12) y vuelva a montar la pipeta ajustando la tuerca de conexión. En las pipetas AP2, AP10 y AP20, si el cuerpo está dañado, puede estarlo también el pistón. Reemplace los elementos deteriorados (ver apartado 12) y vuelva a montar la pipeta ajustando la tuerca de conexión. Para retirar el expulsor en el caso de las pipetas AP5000 y AP10000 hay que retirar el botón del expulsor (fig. 3N) y para desatornillar el expulsor se dará vuelta al destornillador en el sentido contrario al de las manecillas de un reloj.

Posible daño Deterioro del pistón o la junta a causa de la medición prolongada de líquidos agresivos.

Solución Desmonte la pipeta como fue indicado arriba. Reemplace el pistón, la junta y el O-ring (ver apartado 12). Lave el interior del cuerpo con agua destilada. Engrase la junta y el O-ring con grasa adjunta a cada pipeta. El reemplazo del pistón requiere una recalibración de la pipeta.

NOTA: En las pipetas AP2, AP10 hay que engrasar las piezas uniformemente y utilizando una cantidad mínima de la grasa.

Problema La pipeta esta Mal ensamblado.

Solución Desmonte la pipeta y móntela nuevamente siguiendo el correcto orden del montaje (fig. 3).

Problema Falta de la grasa en las piezas de hermeticidad.

Solución Retire el expulsor. Afloje la tuerca de conexión, retire el cuerpo, el pistón, la junta y el O-ring. Lave las piezas sacadas con agua destilada y séquelas. Engrase un poco las superficies interiores de la junta y del O-ring con la grasa adjunta a cada pipeta. Monte la pipeta en un orden contrario a su desmontaje.

Problema Contaminación del interior de la pipeta causado por una prolongada toma de los líquidos químicamente agresivos o bien la humidificación del interior de la pipeta.

Solución Retire el expulsor. Afloje la tuerca de conexión, retire el cuerpo, el pistón, la junta y el O-ring. Lave las piezas sacadas con agua destilada y séquelas. Engrase un poco las superficies interiores de la junta y del O-ring con la grasa. Vuelva a montar la pipeta.

Al detectar el aumento de la fuerza de pipeteo, lo que puede ocurrir después de haber realizado muchas veces la esterilización en autoclave:

Solución Retire el expulsor. Afloje la tuerca de conexión, retire el cono, el pistón, la junta y el O-ring. Lave las piezas sacadas con agua destilada y séquelas. Engrase un poco la superficie interior de la junta y del O-ring con la grasa que acompaña a cada pipeta. Monte la pipeta en un orden contrario a su desmontaje.

NOTA: Todas las piezas de la pipeta son autoclavables. Ver el apartado 10. Los cuerpos de las pipetas 5000 y 10000 se esterilizarán sin filtro.

Si el procedimiento arriba descrito no eliminase el funcionamiento incorrecto de la pipeta hay que enviarla al servicio técnico **Assist**. Antes de enviar la pipeta al servicio técnico, asegúrese que la misma no esté contaminada con sustancias químicas agresivas, radioactivas o microbiológicas que puedan ser peligrosas durante el transporte y la reparación. Si es posible, limpie la pipeta.

10 – LIMPIEZA Y ESTERILIZACIÓN

Limpeza:

Las superficies exteriores del botón pulsador, el botón del expulsor, el mango y el tornillo de calibración pueden limpiarse con un tapón de algodón empapado de alcohol isopropílico. Las demás piezas desmontables pueden ser lavadas con agua destilada o alcohol isopropílico.

Advertencia:

Antes de aplicar agentes de limpieza otros que no sean recomendados por el fabricante, consulte las tablas de compatibilidad de materiales plásticos, los cuales componen los elementos de la pipeta: PP, PC, POM, PA, PPS, PVDF.

Esterilización:

Podemos esterilizar la pipeta entera en autoclave a la temperatura de 121°C durante 20 minutos. Después de esterilizar la pipeta, ésta debe ser secada y enfriada hasta alcanzar la temperatura de ambiente.

Se recomienda:

- Esterilizar las pipetas en un autoclave con la fase del vacío preliminar y secado,
- Antes de la esterilización aflojar un poco la tuerca de conexión en las pipetas AP2 - AP1000, y en las pipetas AP5000 y AP10000 aflojar un poco el cuerpo. Después de la esterilización fijar de nuevo estas piezas.
- Antes de la esterilización aflojar un poco la tuerca que sujeta el modulo. Después de la esterilización atornillar la tuerca.

Con la correcta explotación y el adecuado procedimiento de la esterilización en autoclave no cambia la repetibilidad de los resultados obtenidos.

Sin embargo puede ocurrir un pequeño cambio de la precisión de la dosificación, entonces se recomienda:

- verificar la calibración de las pipetas después de la 1er, 3er y 5ta esterilización en autoclave y luego cada 10 ciclos de esterilización durante la explotación de la pipeta.

Atención: Los cuerpos de las pipetas 5000 y 10000 se esterilizarán sin filtro.

La pipeta es resistente a la radiación ultravioleta, lo que se confirmó con las pruebas realizadas. La distancia recomendada desde la fuente de radiación hasta el elemento expuesto no deberá ser inferior a 50 cm. Una exposición intensa, de duración excesiva puede causar pequeños cambios en el

aspecto de los elementos de color sin influir en los parámetros de la pipeta.

11 – JUEGO DE PIPETAS Y ACCESORIOS

Kit de Pipeta:

Las pipetas están disponibles con Kit Incluido:

- Pipeta
- Manual de usuario
- Llave de calibración
- Espaciador para la regulación del expulsor (para las pipetas AP2 y AP1000)
- Abertura del expulsor (para las pipetas AP2, AP10, AP5000, AP10000)
- Etiqueta de Identificación
- Filtros (para las pipetas AP5000, AP10000)
- Lubricación
- Anillos de identificación de color

Accesorios:

Descripción	Núm. de catálogo
Soporte del carrusel	BS-010522
Soporte múltiple	BS-010523
Soporte de 1 posición	BS-010524
Soporte de 4 posiciones	BS-010525

12 – PIEZAS DE REPUESTO

Ver fig. 3, 4, 5:

- A: Botón pulsador A1: Botón A2: Tornillo
- B: Volante del ajuste de volumen
- C: Cuerpo
- D: Expulsor de puntas
- F: Tuerca de conexión
- G: Pistón
- H: Espaciador
- I: O-Ring
- J: Junta de Teflón
- K: Llave de calibración
- L: Filtro
- M: La abertura del expulsor
- N: Botón del expulsor

P: Anillo de identificación de color

Estos repuestos pueden solicitarse al representante de **Assist**, detallando el modelo de pipeta y el nombre del repuesto.

Se puede establecer el contacto con la oficina local de **Assist** a través de la página web: www.biosan.lv

Atención: Siempre que se cambie el émbolo se calibrará la pipeta de acuerdo con lo señalado en el apartado 8.

Todos los derechos reservados. Los productos mencionados en el presente manual se hallan disponibles dentro del campo limitado y se someten a las modificaciones técnicas. Los errores se encuentran permisibles.

BIOSAN reserva el derecho a mejorar o modificar sus productos sin aviso previo.

ÍNDICE

- 1 – INTRODUÇÃO
- 2 – AJUSTE DE VOLUME
- 3 – MÉTODOS DE PIPETAGEM
- 4 – PRÉ-LIMPEZA
- 5 – LÍQUIDOS DENSOS E VISCOSOS
- 6 – PONTEIRAS
- 7 – RECOMENDAÇÕES
- 8 – RECALIBRAÇÃO
- 9 – SOLUÇÃO DE PROBLEMAS
- 10 – LIMPEZA E ESTERILIZAÇÃO
- 11 – EQUIPAMENTO E ACESSÓRIOS
- 12 – PEÇAS DE REPOSIÇÃO

1 – INTRODUÇÃO

As pipetas **Assist** constituem uma família de instrumentos destinados a medição, precisa e segura, e para a transferência de líquidos de qualquer volume na faixa de 0.1 µl a 10000 µl dependendo do modelo.

As pipetas multicanal foram concebidas para o preenchimento de laboratório microplacas. As pipetas de permitir o fornecimento preciso e simultânea de 8 ou 12 doses predefinido de líquido. As pipetas multicanal são produzidos em quatro gamas de volumes: 0,5-10 µl, 5-50 µl, 20-200 µl, 50-300 µl

As pipetas possuem um visor digital que mostra o volume ajustado a ser medido. O ajuste de volume regula-se através do giro no botão da pipetagem (Fig. 1A2) ou através do giro na direção correta com um botão de ajuste de volume (Fig. 1B).

O líquido é aspirado pelas ponteiras encaixadas na pipeta (Fig. 1E).

ATENÇÃO: O uso único da ponteira garante a segurança e elimina a possibilidade de contaminação do líquido aspirado.

A pipeta possui um ejetor que facilita o descarte da ponteira (Fig. 1D). O uso das pipetas com o ejetor protege contra o contato com a ponteira contaminada.

A fácil desmontagem do ejetor possibilita o uso de provetas de pequeno diâmetro que tenham compatibilidade com as pipetas e a possibilidade de mudança do seu comprimento facilita a adaptação das pipetas a grande variedade de ponteiras.

O ejetor da pipeta de canal único

O ajuste de comprimento do ejetor.

- Em pipetas com a capacidade de 2 a 1000 µl (Fig. 5A):

Os espaçadores de regulação "H" (anexos na caixa) possibilitam uma mudança de comprimento do ejetor para +1 mm ou +2 mm. A forma exterior do espaçador possibilita a identificação do tamanho da mudança.

- Em pipetas com a capacidade de 5000 e 10000 µl (Fig. 5B):

O ajuste de comprimento do ejetor realiza-se através do movimento de parafusar e desparafusar o eixo do ejetor. Para aumentar o comprimento do ejetor deve-se torcer a chave de parafusos no sentido anti-horário. Para diminuir o comprimento do ejetor, gire a chave de parafusos no sentido horário. A extensão deste ajuste é de 5 mm. Se o ajuste acima mencionado (Fig. 5B) for insuficiente ou se houver dificuldades com o descarte das ponteiras devido ao grande

diâmetro da abertura do ejetor, é necessário colocar a capa “M” no ejetor (Fig. 5C).

- Em pipetas com a capacidade de 2 e 10 µl (Fig. 5D):

É possível que estas pipetas necessitem do uso de uma capa “M” do ejetor para o descarte efetivo das ponteiros provenientes de vários fabricantes no mercado. Coloque a capa, entregue em conjunto com a pipeta, na ponta do ejetor do lado do final do eixo de maneira que envolva o ejetor.

O ejetor da pipeta multicanal

A construção da pipeta permite girar o módulo multicanal e ejetar as ponteiros em 360°, portanto, a posição mais conveniente pode ser selecionada para encher as microplacas. Recomenda-se girar o módulo no sentido horário. Devido ao curso longo do ejetor na pipeta multicanal, o ajuste do seu comprimento não é necessário.

As pipetas **Assist** são instrumentos de laboratório de alta qualidade que asseguram a maior precisão e exatidão das medições. Os erros de precisão e repetibilidade da medição do líquido dependem da qualidade das ponteiros que são usadas. Os erros indicados na tabela foram obtidos ao usar as ponteiros BIOSAN. Somente estas ponteiros asseguram um trabalho seguro com as pipetas e garantem uma aspiração exata e precisa da amostra.

As pipetas de canal único

Modelo	VOLUME [µl]	Exatidão [%]	Precisão [%]
AP2	0.2	± 12.0	± 6.0
	1.0	± 2.7	± 1.3
	Max 2.0	± 1.5	± 0.7
AP10	Min 0.5	± 4.0	± 2.8
	5.0	± 1.0	± 0.6
	Max 10.0	± 0.5	± 0.4
AP20	Min 2	± 3.0	± 1.5
	10	± 1.0	± 0.5
	Max 20	± 0.8	± 0.3
AP50	Min 5	± 2.5	± 2.0
	25	± 1.0	± 0.6
	Max 50	± 0.8	± 0.4
AP100	Min 10	± 1.6	± 0.80
	50	± 0.8	± 0.24
	Max 100	± 0.8	± 0.20
AP200	Min 20	± 1.2	± 0.60
	100	± 0.8	± 0.25
	Max 200	± 0.6	± 0.20

Modelo	VOLUME [µl]	Exatidão [%]	Precisão [%]
AP250	Min 50	± 1.0	± 0.4
	125	± 0.8	± 0.3
	Max 250	± 0.6	± 0.3
AP1000	Min 100	± 1.6	± 0.40
	500	± 0.7	± 0.20
	Max 1,000	± 0.6	± 0.15
AP5000	Min 500	± 1.2	± 0.50
	2,500	± 0.6	± 0.20
	Max 5,000	± 0.5	± 0.15
AP10000	Min 1,000	± 2.5	± 0.6
	5000	± 0.8	± 0.3
	Max 10,000	± 0.5	± 0.2

As pipetas multicanal

Modelo	VOLUME [µl]	Exatidão [%]	Precisão [%]
AP8-10 AP12-10	Min 0.5	±10.0	± 8.0
	5	±4.0	± 2.0
AP8-50 AP12-50	Max 10	±2.0	± 1.2
	Min 5	±4.0	± 2.5
AP8-200 AP12-200	25	±3.0	± 1.2
	Max 50	±1.6	± 0.6
AP8-300 AP12-300	Min 20	±3.0	± 1.5
	100	±1.5	± 0.8
AP8-300 AP12-300	Max 200	±1.0	± 0.6
	Min 50	±1.6	± 1.5
AP8-300 AP12-300	150	±1.2	± 1.0
	Max 300	±1.0	± 0.6

A exatidão e a precisão foram definidas com o uso das ponteiros compatíveis usando o método gravimétrico, com mínimo de 10 aspirações de água destilada na temperatura de 20±1°C conforme a norma EN ISO 8655.

O design da pipeta possibilita ao usuário uma recalibração conforme os princípios apresentados no capítulo 8.

2 – AJUSTE DO VOLUME

O volume do líquido aspirado ajusta-se através do giro no botão da pipetagem (Fig. 1A2) ou no botão preto de ajuste de volume (Fig. 1B). O volume mostrado no visor é composto de três dígitos lidos de cima para baixo. Além disso, no disco mais baixo do visor, encontra-se uma escala que possibilita um ajuste de volume na variação do incremento.

Os exemplos de marcação dos dígitos pretos e vermelhos:

As pipetas de canal único

Modelo	Leituras do contador	Volume	Gradação básica			
AP2	<table border="1"><tr><td>1</td></tr><tr><td>2</td></tr><tr><td>5</td></tr></table>	1	2	5	1.25 µl	0.002 µl
1						
2						
5						
AP10	<table border="1"><tr><td>0</td></tr><tr><td>7</td></tr><tr><td>5</td></tr></table>	0	7	5	7.5 µl	0.02 µl
0						
7						
5						
AP20	<table border="1"><tr><td>1</td></tr><tr><td>2</td></tr><tr><td>5</td></tr></table>	1	2	5	12.5 µl	0.02 µl
1						
2						
5						
AP100	<table border="1"><tr><td>0</td></tr><tr><td>7</td></tr><tr><td>5</td></tr></table>	0	7	5	75 µl	0.2 µl
0						
7						
5						
AP200	<table border="1"><tr><td>1</td></tr><tr><td>2</td></tr><tr><td>5</td></tr></table>	1	2	5	125 µl	0.2 µl
1						
2						
5						
AP1000	<table border="1"><tr><td>0</td></tr><tr><td>7</td></tr><tr><td>5</td></tr></table>	0	7	5	0.75 ml	2 µl
0						
7						
5						
AP5000	<table border="1"><tr><td>1</td></tr><tr><td>2</td></tr><tr><td>5</td></tr></table>	1	2	5	1.25 ml	10 µl
1						
2						
5						
AP10000	<table border="1"><tr><td>0</td></tr><tr><td>7</td></tr><tr><td>5</td></tr></table>	0	7	5	7.5 ml	20 µl
0						
7						
5						

As pipetas multicanal

Modelo	Leituras do contador	Volume	Gradação básica			
AP8-10 AP12-10	<table border="1"><tr><td>0</td></tr><tr><td>3</td></tr><tr><td>5</td></tr></table>	0	3	5	3.5 µl	0.02 µl
0						
3						
5						
AP8-50 AP12-50	<table border="1"><tr><td>0</td></tr><tr><td>6</td></tr><tr><td>5</td></tr></table>	0	6	5	6.5 µl	0.10 µl
0						
6						
5						
AP8-200 AP12-200	<table border="1"><tr><td>0</td></tr><tr><td>8</td></tr><tr><td>5</td></tr></table>	0	8	5	85.0 µl	0.20 µl
0						
8						
5						
AP8-300 AP12-300	<table border="1"><tr><td>2</td></tr><tr><td>5</td></tr><tr><td>0</td></tr></table>	2	5	0	250.0 µl	1.0 µl
2						
5						
0						

3 – MÉTODOS DA PIPETAGEM

As pipetas de canal único

Encaixe uma ponteira no eixo da pipeta. A escolha da ponteira compatível está descrita no capítulo 6. Ao colocar a ponteira é necessário pressioná-la com firmeza no eixo com um movimento giratório. Isto assegurará uma ligação hermética.

As pipetas multicanal

Posicione as ponteiras nos cones do módulo multicanal, segurando a pipeta verticalmente e pressionando-a contra as ponteiras no rack até as hastes retraírem em 1,5 mm. O sistema de suspensão das hastes garante a vedação por igual e hermética das ponteiras. O movimento de rolagem não deve ser feito para vedar as ponteiras.

ATENÇÃO: Nunca aspire o líquido pela pipeta sem colocar a ponteira primeiramente.

Pressione o botão de pipetagem até a primeira resistência (Fig. 2A). Segurando a pipeta verticalmente, mergulhe a ponteira no líquido a ser aspirado. A profundidade de imersão depende do modelo da pipeta.

Modelo da Pipeta	Profundidade de Imersão [mm]
AP2	≤ 1
AP10	≤ 1
AP20, AP50, AP100	2 - 3
AP200, AP250, AP1000	2 - 3
AP5000	3 - 6
AP10000	5 - 7

Para aspirar o líquido deve-se soltar o botão da pipetagem devagar e com um movimento uniforme (Fig. 2B). Antes de tirar a ponteira de dentro do material aspirado deve-se esperar cerca de um segundo.

Ao mergulhar a ponteira em profundidade menor que a aconselhada ou soltar o botão da pipetagem muito rápido, a ponteira pode aspirar ar.

ATENÇÃO: Evite tocar na ponta utilizada. Dispensação do líquido:

- Segure a pipeta sob o ângulo de 10 a 40 graus. É necessário encostar a ponta da ponteira na parede do frasco;
- Em seguida com um movimento uniforme e devagar pressione o botão da pipetagem até a primeira resistência (Fig. 2C);

- Depois de ± um segundo pressione o botão até ao fim para retirar o resto do líquido da ponteira.
- Ao pressionar o botão até ao fim, retirar a pipeta arrastando a ponteira pela parede do frasco;
- Em seguida solte o botão da pipetagem, retornando a posição inicial (Fig. 2E) e descarte a ponteira pressionando o botão do ejetor (Fig. 2F).

ATENÇÃO: *Se mudar o líquido a ser aspirado lembre-se de trocar a ponteira por uma nova.*

Filtros

Nas pipetas 5000 µl e 10000 µl, os filtros estão posicionados na parte inferior do eixo (Fig. 3L). O filtro protege o interior da pipeta contra a entrada do líquido aspirado e assim contra a contaminação do interior do eixo e o pistão. A aplicação do filtro é importante principalmente em caso de aspiração e dispensação de grandes volumes de líquido.

Se ao aspirar o líquido molhar o filtro, este deve ser trocado por um novo.

4 – PRÉ-LIMPEZA

Durante a pipetagem de líquidos com maior densidade ou com menor tensão superficial que a água (por ex. soros ou solventes orgânicos), uma membrana de líquido se forma na parede interior da ponteira. Esta membrana pode causar erro na medição, pois o volume dela permanece constante durante as pipetagens seguintes com a mesma ponteira. Pode-se evitar este erro criando esta membrana antes da primeira pipetagem. Isto é feito aspirando uma amostra e dispensando de volta para dentro do mesmo tubo. Com a membrana já formada, todas as amostras seguintes terão melhor precisão e repetibilidade.

Esta operação de pré-lavagem deve ser repetida quando o volume a ser aspirado é trocado ou quando uma nova ponteira é usada.

5 – LÍQUIDOS DE GRANDE DENSIDADE E VISCOSIDADE

Os valores de exatidão e precisão das pipetagens foram definidos ao pipetar água destilada. Ao pipetar os líquidos com a densidade, viscosidade ou tensão superficial muito diferente dos da água é possível que seja necessário compensar o ajuste do volume.

Normalmente, se a pipetagem for feita lentamente e com cuidado, o erro resultante da diferença de densidade e vis-

cosidade do líquido é desprezível. O mais importante é uma pipetagem lenta para que o líquido possa acompanhar vagarosamente a pressão variável. Desta forma, é preciso esperar pelo menos dois segundos depois de cada aspiração ou dispensação do líquido sem mudar a pipeta de posição.

Em casos extremos, se este procedimento não resultar na obtenção de resultados precisos no trabalho com a pipeta, deve-se:

- Ajustar o volume e aspirar o líquido,
- Pesquisar o volume do líquido aspirado,
- Calcular o valor do novo ajuste do volume, conforme o modelo seguinte:

Ajuste novo = 2 x volume nominal

(ou volume a ser aspirado) - $\frac{m}{\gamma}$

m – massa do líquido aspirado durante a primeira pipetagem

γ – densidade do líquido aspirado

Este procedimento deve ser repetido para eliminar os eventuais erros. O valor da correção (isto é a diferença entre o valor do volume ajustado na pipeta e o valor do volume real a ser aspirado) vale a pena anotar para aproveitar em outras pipetagens do mesmo líquido.

6 – PONTEIRAS

As ponteiras compatíveis são fabricadas em polipropileno de alta performance o que possibilita a obtenção de um produto de alta qualidade. Este fato garante uma compatibilidade correta com as pipetas **Assist** e assegura uma aspiração precisa e repetível.

A precisão e exatidão das pipetas **Assist** foram determinadas com o uso das ponteiras compatíveis.

O uso de ponteiras de qualidade inferior podem piorar a precisão e exatidão da aspiração.

Ponteiras 10

Usadas na aspiração de líquidos com o volume de 0,1 a 10 µl. Aplicadas as pipetas do tipo AP2, AP10, AP8-10 e AP12-10.

Ponteiras 200

Usadas na aspiração de líquidos com o volume de 2 a 200 µl. Aplicadas as pipetas do tipo AP20, AP50, AP100, AP200, AP8-50, AP12-50, AP8-200 e AP12-200.

Ponteiras 300

Usadas na aspiração de líquidos com o volume de 50 a 300 µl. Aplicadas às pipetas do tipo AP250, AP8-300 e AP12-300.

Ponteiras 1000

As ponteiras usadas na aspiração de líquidos com o volume de 100 a 1000 µl. Aplicadas às pipetas do tipo AP1000.

Ponteiras 5000

Usadas na aspiração de líquidos com o volume de 500 a 5000 µl. Aplicadas às pipetas do tipo AP5000.

Ponteiras 10000

Usadas na aspiração de líquidos com o volume de 1000 a 10000 µl. Aplicadas às pipetas do tipo AP10000.

7 – RECOMENDAÇÕES

Para a aspiração ser a mais precisa e exata siga as seguintes indicações:

- O movimento do botão da pipetagem durante a aspiração e a dispensação do líquido deverá ser lento e uniforme.
- A profundidade de imersão da ponteira no líquido aspirado deve ser a menor possível e constante.
- Durante o trabalho deve segurar a pipeta verticalmente.
- Se trocar o líquido medido a ponteira deve ser substituída por uma nova.
- Se na ponteira sobrar algumas gotas de líquido esta deve ser substituída por uma nova.
- Antes do uso, cada uma das novas ponteiras deve ser pré-lavada.
- O líquido aspirado não deve entrar no interior da pipeta, siga as seguintes instruções:
 - Pressione e solte o botão de forma lenta e uniforme.
 - Não colocar a pipeta de lado se houver líquido na ponteira.
 - Não inverta a pipeta.
- Não ajustar o volume para além dos valores limites.
- Antes de iniciar a pipetagem dos líquidos com a temperatura diferente do ambiente aconselha-se uma pré-lavagem da ponteira com o líquido aspirado.
- Não aspirar líquidos com a temperatura mais alta do que 70°C.
- Após a aspiração de ácidos e soluções corrosivas aconselha-se o desparafusar do eixo da pipeta e uma limpeza do pistão e do eixo com água destilada.

8 – RECALIBRAÇÃO

As pipetas **Assist** são calibradas com o método gravimétrico usando as ponteiras compatíveis e água destilada, em 20±1°C de temperatura, conforme a norma EN ISO 8655. Se notar, que a precisão ultrapassa o valor admissível apresentado na tabela no capítulo 1, deve recalibrar a pipeta.

Antes de recalibrar a pipeta é preciso verificar se, ao determinar a precisão, foram cumpridas as seguintes condições:

- a temperatura ambiente, das pipetas, ponteiras e da água era a mesma,
- a densidade do líquido usado é aproximada a da água destilada,
- a balança usada tinha uma sensibilidade apropriada,

Volume verificado [µl]	Sensibilidade da balança [mg]
0.1 - 10	≤0.001
10 - 100	≤0.01
>100	≤0.1

- foi levado em consideração o fator de conversão mg/µl,
- foram cumpridas as condições apresentadas nos capítulos 3 e 7.

Se as condições mencionadas forem cumpridas e o valor de precisão do volume escolhido, apresentado no capítulo 1, ultrapassar o valor admissível é necessário recalibrar a pipeta.

A recalibração pode ser feita somente na extensão de uma volta completa da chave esquerda ou direita.

As condições de recalibração são:

- A temperatura do ambiente, da pipeta, pontas e do líquido deverá manter-se entre os 20-25°C e estabilizada durante o peso entre ±0,5°C,
- As medições realizadas com o uso de água destilada,
- A sensibilidade da balança apropriada ao volume verificado.

O método de recalibração:

- Ajustar o volume da amostra de acordo da capacidade da pipeta conforme a tabela abaixo.

As pipetas de canal único

Pipeta	Extensão da capacidade da pipeta [µl]	Volume ajustado [µl]	Valores admissíveis [µl]	Mudança do volume de uma volta da chave de calibração
				ΔV [µl] (24 doses)
AP2	0.1 - 2	0.2	0.176 - 0.224	0.06
AP10	0.5 - 10	0.5	0.48 - 0.52	0.33
AP20	2 - 20	2	1.94 - 2.06	0.63
AP50	5 - 50	5	4.875 - 5.125	2.50
AP100	10 - 100	10	9.84 - 10.16	2.50
AP200	20 - 200	20	19.76 - 20.24	6.30
AP250	50 - 250	50	49.5 - 50.5	6.30
AP1000	100 - 1000	100	98.4 - 101.6	25.00
AP5000	500 - 5,000	500	494 - 506	125.00
AP10000	1,000 - 10,000	1,000	975 - 1,025	250.00

As pipetas multicanal

Pipeta	Extensão da capacidade da pipeta [µl]	Volume ajustado [µl]	Valores admissíveis [µl]	Mudança do volume de uma volta da chave de calibração
				ΔV [µl] (24 doses)
AP8-10 AP12-10	0.5 - 10	0.5	0.45 - 0.55	0.33
AP8-50 AP12-50	5 - 50	5	4.8 - 5.2	1.67
AP8-200 AP12-200	20 - 200	20	19.4 - 20.6	6.30
AP8-300 AP12-300	50 - 300	50	49.2 - 50.8	10.00

- Realizar cinco séries de aspiração pesando as de cada vez e calcular o valor médio destas aspirações.
- Calcular o volume médio aspirado em µl multiplicando o valor médio das aspirações em [mg] pelo fator da densidade da água destilada [µl/mg] sujeito à temperatura e pressão conforme a tabela:

Temperatura [°C]	Pressão [kPa]		
	95.0	101.3	105.0
20	1.0028	1.0029	1.0029
21	1.0030	1.0031	1.0031
22	1.0032	1.0033	1.0033
23	1.0034	1.0035	1.0036

Temperatura [°C]	Pressão [kPa]		
	95.0	101.3	105.0
24	1.0037	1.0038	1.0038
25	1.0039	1.0040	1.0040

Se o volume médio aspirado ultrapassar os valores admissíveis:

- Retire o botão da pipetagem (Fig. 4A).

Atenção: O botão da pipetagem é composto por duas peças: o “girador” (Fig. 1A2) e o botão propriamente dito (1A1). Depois de tirar o botão, ambas as partes se separam.

- Ao segurar o “girador” de ajuste de volume de maneira a protegê-lo contra a volta, introduzir a chave de calibração nos canais do parafuso de calibração (Fig. 4B).
- Girar a chave no sentido horário para diminuir a quantidade aspirada ou, para o lado oposto para aumentar essa quantidade. Uma volta completa com a chave de calibração altera o volume aspirado da pipeta pelos valores ΔV indicados na tabela acima (Fig. 4C).
- Retirar a chave de calibração e colocar o botão da pipetagem (Fig. 4D). Para montar o botão da pipetagem, coloque no eixo em primeiro lugar o girador (Fig. 1A2) e depois o botão (Fig. 1A1).

Determinar o volume médio aspirado. O volume médio deverá manter-se nos limites dos valores admissíveis indicados na tabela. Se este volume ultrapassar os valores é necessário repetir a recalibração. Se pipetar líquidos que tenham as qualidades físicas muito diferente das da água, proceda conforme o capítulo 5.

9 – SOLUÇÃO PARA PROBLEMAS

Se notar um funcionamento incorreto da pipeta, verifique a causa. A reposição de peças é o último recurso, que se a utilização for correta não ocorrerá.

Na pipeta sobra amostra

- Dispensação muito rápida da ponteira.
 - Diminua a velocidade da pressão do botão da pipetagem.
- Maior umidade da ponteira provocada por um uso frequente.
 - Troque a ponteira por uma nova.

No líquido aspirado pela ponteira aparecem bolhas de ar.

- Profundidade pequena de mais de imersão da ponta.
 - Mergulhe a ponteira mais fundo conforme a instrução.

- Ponteira introduzida com pouca força no eixo da pipeta. Introduza a ponta com mais força.
- Ponteira danificada ou usada frequentemente. Troque a ponteira por uma nova.

A pipeta aspira o líquido de maneira incorreta ou o líquido vaza da ponteira.

- Ponteira introduzida com pouca força no eixo da pipeta.
- Introduza a ponteira com mais força.**
- A rosca que fixa o eixo (Fig. 3F) nas pipetas AP2 - AP1000 está desenroscada.

Parafuse a rosca que fixa o eixo.

- Uma ruptura ou um risco na superfície do eixo.
- Retire o ejetor, desenrosque a rosca que fixa o eixo, verifique o eixo e o conjunto do pistão. Troque as peças defeituosas (ver cap. 12), monte a pipeta parafusando a rosca. Nas pipetas AP2, AP10 e AP20 a avaria do eixo pode causar um defeito no conjunto do pistão. Troque as peças avariadas (ver cap. 12), monte a pipeta fixando a rosca. Para retirar o ejetor das pipetas AP5000 e AP10000 é necessário retirar o botão do ejetor (Fig. 3N) e com uma chave de parafusos desaparafusar o ejetor torcendo a chave na direção anti-horário**
- Avaria do pistão ou da capa da pipeta provocada pela aspiração de líquidos corrosivos.

Desmonte a pipeta da maneira acima indicada. Troque o conjunto do pistão, a capa e O-ring (ver o cap. 12). Limpe o interior do eixo com água destilada. Na capa e no O-ring passe um lubrificante (que vem junto com a pipeta). A alteração do pistão necessita uma recalibração.

Nas pipetas AP2 e AP10 é preciso ter atenção para que os elementos lubrificados sejam engraxados uniformemente com a quantidade mínima de lubrificante.

- Montagem incorreta da pipeta.

Desmonte a pipeta e monte a novamente levando em consideração a ordem correta da montagem (Fig. 3).

- Falta de lubrificante nos elementos de pipetagem. Retire o ejetor. Solte a rosca que fixa o eixo, retire-o, o conjunto do pistão, a capa e o O-ring. As peças retiradas lave com água destilada e seque. As superfícies interiores da chapa e do O-ring lubrifique um pouco. Monte a pipeta.

- Contaminação do interior da pipeta provocada pela aspiração de líquidos corrosivos ou pela penetração de líquido no interior da pipeta.

Retire o ejetor, solte a rosca que fixa o eixo, retire o eixo, o conjunto do pistão, a capa e o O-ring. Lave os com água destilada e seque. As superfícies interiores da capa e do O-ring lubrifique um pouco. Monte a pipeta.

- Aumento da força de pipetagem, que pode surgir depois da repetidas autoclavagens.

Retire o ejetor, solte a rosca que fixa o eixo, retire o eixo, o conjunto do pistão, a capa e o O-ring. Lave os com água destilada e seque. As superfícies interiores da capa e do O-ring lubrifique um pouco. Monte a pipeta.

Atenção: Todas as peças da pipeta podem ser esterilizadas, veja o capítulo 10. Os eixos das pipetas AP5000 e AP10000 deve-se esterilizar sem o filtro.

Se as ações acima mencionadas não solucionarem os problemas, envie a pipeta para o seu fornecedor.

Antes do envio verifique se a pipeta não está contaminada com os reativos químicos, radioativos ou microbiológicos que constituem perigo durante o transporte e manipulação. Na medida do possível limpe a pipeta.

10 – LIMPEZA E ESTERILIZAÇÃO

Limpeza:

As superfícies exteriores do botão da pipetagem, do botão do ejetor, do eixo e do botão de ajuste podem ser limpas com um pano umedecido em álcool isopropílico.

As peças restantes retiradas da pipeta durante a desmontagem podem ser limpas com água destilada ou álcool isopropílico.

Aviso:

Antes de usar agentes de limpeza diferentes dos recomendados pelo fabricante, cheque os quadros de compatibilidade e considere a resistência química dos seguintes plásticos: PEI, PP, PC, POM, PA, PPS, PVDF usados para produzir peças das pipetas.

Esterilização:

A pipeta pode ser sujeita autoclavagem em sua totalidade, durante 20 minutos, a temperatura de 121°C. Após a esterilização, deve-se secar e resfriá-la temperatura ambiente.

Aconselha-se:

- Esterilização das pipetas em autoclave com o ciclo de vácuo interno e secagem,
- Antes da esterilização desaparafusar um pouco a rosca que fixa o eixo nas pipetas AP2-AP1000 e nas pipetas AP5000 e AP10000 afrouxar um pouco o eixo. Após a esterilização parafusar as peças novamente.
- Antes da esterilização, soltar a porca que conecta o cabo ao módulo. Após autoclavar, estas peças deverão ser parafusadas de novo.

Durante uma utilização apropriada e um processo de esterilização realizado corretamente a exatidão dos resultados obtidos não altera. Pode aparecer uma pequena alteração na precisão da amostragem por isso aconselha-se:

- controle de calibração das pipetas depois de 1, 3 e 5 esterilizações e depois de 10 ciclos de esterilização durante o período mais longo de utilização da pipeta.

Atenção: Os eixos das pipetas AP5000 e AP10000 devem ser esterilizados sem o filtro.

11 – EQUIPAMENTO E ACESSÓRIOS

Equipamento:

O conjunto completo das pipetas sãoé composto por:

- Pipeta
- Manual de instrução
- Chave de calibração
- Espaçadores de regulação do ejetor (pipetas AP2 até AP1000)
- Capa do ejetor (pipetas AP2, AP10, AP5000 e AP10000)
- Etiquetas de identificação
- Filtros (pipetas AP5000 e AP10000)
- Lubrificante
- Anéis de identificação coloridos
- Botão ejetor de mão direita

Descrição	Número de catálogo
Suporte carrossel	BS-010522
Suporte múltiplo	BS-010523
Suporte em acrílico com 1 posição	BS-010524
Suporte em acrílico com 4 posições	BS-010525

12 – PEÇAS DE REPOSIÇÃO

As peças de reposição para as pipetas **Assist** podem ser visualizadas nos Fig. 3, 4 e 5:

- A: Botão da pipetagem A1: Botão A2: Girador
- B: Botão de ajuste de volume
- C: Eixo
- D: Ejetor
- F: Rosca que fixa o eixo
- G: Conjunto do pistão
- H: Espaçadores de regulação
- I: O-ring
- J: Capa
- K: Chave de calibração
- L: Filtro
- M: Capa do ejetor
- N: Botão do ejetor
- P: Anel de identificação

Ao pedir as peças de reposição é necessário definir o modelo da pipeta, número do catálogo, número de série e especificar o nome da peçaem questão.

A especificação das peças encontra-se via internet na página www.biosan.lv

ATENÇÃO: A mudança do conjunto do pistão necessita uma recalibração da pipeta conforme o capítulo 8.

Todos os direitos reservados. A disponibilidade dos produtos descritos no presente manualé limitada, os produtos estão sujeitos a alterações técnicas. Os erros são permitidos.

BIOSAN reserva o direito de melhorar ou modificar os seus produtos sem aviso prévio.

INDICE

- 1 – INFORMAZIONI GENERALI
- 2 – REGOLAZIONE DEL VOLUME
- 3 – PRELIEVO ED EROGAZIONE DEL LIQUIDO
- 4 – RISCIAQUO
- 5 – PRELIEVO DI LIQUIDO MOLTO DENSO E VISCOSO
- 6 – PUNTALI PER LE PIPETTE
- 7 – RACCOMANDAZIONI
- 8 – RICALIBRAZIONE
- 9 – RISOLUZIONE DEI PROBLEMI
- 10 – PULIZIA E STERILIZZAZIONE
- 11 – PIPETTA ED ACCESSORI
- 12 – PARTI DI RICAMBIO

1 – INFORMAZIONI GENERALI

Le pipette appartengono alla famiglia di strumenti destinati a misurare e trasferire con precisione ed in modo sicuro i liquidi di diversi volumi tra 0,1 µl e 10000 µl in funzione al modello.

La famiglia di pipette multicanale a volume variabile è destinata all'uso con micropiastre, caricamento gel per elettroforesi e per altre applicazioni multicampione.

Le pipette permettono di prelevare precisamente e simultaneamente 8 o 12 dosi di liquido a volume predefinito e sono disponibili in 4 range volumetrici: 0,5-10 µl, 5-50 µl, 20-200 µl, 50-300 µl.

Le pipette sono dotate di un contatore digitale che mostra il volume misurato. Il volume viene regolato con la manopola situata sul pulsante di prelievo (fig. 1A2) oppure girando la ghiera di regolazione del volume (fig. 1B). Il liquido è prelevato con un puntale montato sulla pipetta.

L'espulsione del puntale è facilitata da un espulsore incorporato nella pipetta (fig. 1D). L'uso delle pipette con l'espulsore protegge dal contatto con un puntale contaminato.

L'espulsore è facilmente smontabile, per cui si possono usare le pipette con le provette a piccolo diametro. La possibilità di modificare la lunghezza dell'espulsore permette di adattare le pipette ad un'ampia gamma di puntali.

Le singole pipette di canale***Regolazione di lunghezza dell'espulsore.***

- Modello delle pipette 2 µl a 1000 µl (fig. 5A):

I manicotti di regolazione ad "H" inclusi nella scatola permettono di modificare la lunghezza dell'espulsore di +1mm o +2mm. Nella versione standard viene montato il manicotto "H0". La forma esterna del manicotto permette di identificare le variazioni di misurazione.

- Modello della pipetta 5000 µl e 10000 µl (fig. 5B):

La regolazione della lunghezza dell'espulsore avviene avvitando o svitando lo stelo dell'espulsore con un cacciavite. Per ridurre la lunghezza bisogna girare il cacciavite nel senso orario, invece per aumentare la lunghezza girare il cacciavite nel senso antiorario. L'intervallo della regolazione è di 5 mm. Se tale regolazione risulta insufficiente (fig. 5B) oppure si verificano i problemi di espulsione dei puntali a causa dell'eccessivo diametro del foro dell'espulsore, bisogna mettere sull'espulsore il tappo "M" in dotazione (fig. 5C).

- Modello della pipetta 2 µl e 10 µl (fig.5D):

Le pipette da 2 µl a 10 µl possono richiedere l'uso di un giunto per li eiettori per un'efficiente espulsione dei puntali di alcuni brand sul mercato. Il giunto, in dotazione con la pipetta, si posiziona sull'estremità inferiore dell'eiettore in modo che ne copra la parte terminale.

Le pipette multicanale

La struttura della pipetta consente di cambiare la posizione del modulo multicanale e l'espulsione dei puntali nell'ambito di 360°, il che permette di scegliere la posizione più adatta per riempire le micropiastre. Si consiglia di girare il modulo in senso orario.

Le pipette **Assist** sono strumenti da laboratorio di alta qualità che garantiscono la massima esattezza e precisione di misurazione.

La precisione e la riproducibilità della misurazione di liquido dipendono dalla qualità dei puntali utilizzati. Gli errori indicati nella tabella sono stati riscontrati nel caso venissero usati i puntali consigliati.

Le singole pipette di canale

Modello	Volume [µl]	Precisione [%]	Riproducibilità [%]
AP2	0.2	± 12.0	± 6.0
	1.0	± 2.7	± 1.3
	Max 2.0	± 1.5	± 0.7
AP10	Min 0.5	± 4.0	± 2.8
	5.0	± 1.0	± 0.6
	Max 10.0	± 0.5	± 0.4
AP20	Min 2	± 3.0	± 1.5
	10	± 1.0	± 0.5
	Max 20	± 0.8	± 0.3
AP50	Min 5	± 2.5	± 2.0
	25	± 1.0	± 0.6
	Max 50	± 0.8	± 0.4
AP100	Min 10	± 1.6	± 0.80
	50	± 0.8	± 0.24
	Max 100	± 0.8	± 0.20
AP200	Min 20	± 1.2	± 0.60
	100	± 0.8	± 0.25
	Max 200	± 0.6	± 0.20
AP250	Min 50	± 1.0	± 0.4
	125	± 0.8	± 0.3
	Max 250	± 0.6	± 0.3
AP1000	Min 100	± 1.6	± 0.40
	500	± 0.7	± 0.20
	Max 1,000	± 0.6	± 0.15

Modello	Volume [µl]	Precisione [%]	Riproducibilità [%]
AP5000	Min 500	± 1.2	± 0.50
	2,500	± 0.6	± 0.20
	Max 5,000	± 0.5	± 0.15
AP10000	Min 1,000	± 2.5	± 0.6
	5000	± 0.8	± 0.3
	Max 10,000	± 0.5	± 0.2

Le pipette multicanale

Modello	Volume [µl]	Precisione [%]	Riproducibilità [%]
AP8-10 AP12-10	Min 0.5	±10.0	± 8.0
	5	±4.0	± 2.0
	Max 10	±2.0	± 1.2
AP8-50 AP12-50	Min 5	±4.0	± 2.5
	25	±3.0	± 1.2
	Max 50	±1.6	± 0.6
AP8-200 AP12-200	Min 20	±3.0	± 1.5
	100	±1.5	± 0.8
	Max 200	±1.0	± 0.6
AP8-300 AP12-300	Min 50	±1.6	± 1.5
	150	±1.2	± 1.0
	Max 300	±1.0	± 0.6

Questi valori sono stati ottenuti con metodo gravimetrico, eseguendo almeno 10 misurazioni con acqua distillata in condizioni di temperatura stabilizzata tra 19°C e 21°C, in accordo alla norma EN ISO 8655. I valori indicati considerano tutti i fattori di errori connessi sia al riscaldamento normale della mano sia alla sostituzione dei puntali.

La struttura delle pipette permette all'utente di procedere alla ricalibrazione secondo le istruzioni presentate nella sezione 8.

2 – REGOLAZIONE DEL VOLUME

Il volume indicato sul contatore digitale è composto da 3 cifre, da leggere dall'alto verso il basso. In aggiunta, nella parte più bassa del tamburo del contatore si trova una scala graduata che permette di regolare il volume compreso nell'incremento di ogni modello.

Alcuni esempi del significato delle cifre rosse e nere:

Le singole pipette di canale

Modello	Simbolo Lettura	Volume impostato	Grado basico
AP2	1	1.25 µl	0.002 µl
	2		
	5		

Modello	Simbolo Lettura	Volume impostato	Grado basico			
AP10	<table border="1"><tr><td>0</td></tr><tr><td>7</td></tr><tr><td>5</td></tr></table>	0	7	5	7.5 µl	0.02 µl
0						
7						
5						
AP20	<table border="1"><tr><td>1</td></tr><tr><td>2</td></tr><tr><td>5</td></tr></table>	1	2	5	12.5 µl	0.02 µl
1						
2						
5						
AP100	<table border="1"><tr><td>0</td></tr><tr><td>7</td></tr><tr><td>5</td></tr></table>	0	7	5	75 µl	0.2 µl
0						
7						
5						
AP200	<table border="1"><tr><td>1</td></tr><tr><td>2</td></tr><tr><td>5</td></tr></table>	1	2	5	125 µl	0.2 µl
1						
2						
5						
AP1000	<table border="1"><tr><td>0</td></tr><tr><td>7</td></tr><tr><td>5</td></tr></table>	0	7	5	0.75 ml	2 µl
0						
7						
5						
AP5000	<table border="1"><tr><td>1</td></tr><tr><td>2</td></tr><tr><td>5</td></tr></table>	1	2	5	1.25 ml	10 µl
1						
2						
5						
AP10000	<table border="1"><tr><td>0</td></tr><tr><td>7</td></tr><tr><td>5</td></tr></table>	0	7	5	7.5 ml	20 µl
0						
7						
5						

Le pipette multicanale

Modello	Simbolo Lettura	Volume impostato	Grado basico			
AP8-10 AP12-10	<table border="1"><tr><td>0</td></tr><tr><td>3</td></tr><tr><td>5</td></tr></table>	0	3	5	3.5 µl	0.02 µl
0						
3						
5						
AP8-50 AP12-50	<table border="1"><tr><td>0</td></tr><tr><td>6</td></tr><tr><td>5</td></tr></table>	0	6	5	6.5 µl	0.10 µl
0						
6						
5						
AP8-200 AP12-200	<table border="1"><tr><td>0</td></tr><tr><td>8</td></tr><tr><td>5</td></tr></table>	0	8	5	85.0 µl	0.20 µl
0						
8						
5						
AP8-300 AP12-300	<table border="1"><tr><td>2</td></tr><tr><td>5</td></tr><tr><td>0</td></tr></table>	2	5	0	250.0 µl	1.0 µl
2						
5						
0						

Il volume delle pipette viene determinato tramite la manopola montata sul pulsante di prelievo (fig. 1A2) oppure la ghiera nera di regolazione del volume (fig. 1B).

Per ottenere la massima precisione, il volume desiderato deve essere selezionato partendo da un volume più alto e riducendo man mano le indicazioni del contatore.

- Se il volume desiderato è inferiore a quello impostato sul contatore bisogna girare la manopola del pulsante di pre-

lievo (fig. 1A2) oppure la ghiera di regolazione del volume (fig. 1B) per diminuire le indicazioni del contatore fino al valore desiderato. Prima di raggiungere il valore desiderato bisogna ridurre la velocità di giro della manopola, badando a non superare il valore impostato.

- Se il volume desiderato è superiore a quello impostato sul contatore, girare la manopola del pulsante di prelievo oppure la ghiera di regolazione del volume aumentando le indicazioni del contatore fino a quando la cifra inferiore arriva a circa un terzo del giro del tamburo oltre il valore desiderato. Di seguito, girare lentamente la manopola all'indietro fino a raggiungere il valore desiderato, badando a non superarlo.

Se il valore desiderato viene superato, bisogna ricominciare la regolazione del volume. Il valore desiderato si regola sempre partendo da un volume superiore e riducendo le indicazioni del contatore.

3 – ASPIRATING AND DISPENSING LIQUIDS

Le singole pipette di canale

Montare il puntale sull'estremità della pipetta premendo forte e con un moto rotatorio per assicurare una tenuta ermetica. La scelta del puntale adeguato è descritta nella sezione 6.

Le pipette multicanale

Il liquido va prelevato nei puntali montati sui coni di prelievo del modulo multicanali. Inserendo i puntali sui coni di prelievo bisogna premere bene la pipetta contro i puntali nella scatola fino a quando i coni entrano dentro per 1,5 mm. La posizione flessibile dei coni assicura una tenuta accurata dei puntali senza la necessità di spostarli. Inserendo i puntali, tenere la pipetta in posizione verticale, non è necessario eseguire il movimento rotatorio.

NOTA: non prelevare mai liquidi senza il puntale!

Prelievo di liquido

Premere il pulsante di prelievo fino alla resistenza (primo stop - fig. 2A).

Tenendo la pipetta in posizione verticale, immergere il puntale nel liquido da prelevare. La profondità di immersione del puntale dipende dal modello della pipetta.

Modello	Profondità di immersione [mm]
AP2	≤ 1
AP10	≤ 1
AP20, AP50, AP100	2 - 3

Modello	Profondità di immersione [mm]
AP200, AP250, AP1000	2 - 3
AP5000	3 - 6
AP10000	5 - 7

Per prelevare il liquido bisogna allentare il pulsante di prelievo lentamente e con movimento agile (fig. 2B).

Prima di togliere il puntale dal liquido, attendere circa 1 secondo. Immergendo il puntale ad una profondità inferiore di quella raccomandata oppure allentando il pulsante rapidamente si rischia di prelevare aria.

ATTENZIONE: non toccare il puntale in uso.

Erogazione di liquido:

- Accostare l'estremità del puntale alla parete interna della provetta inclinando la pipetta di un angolo di 10 - 40 gradi.
- Premere lentamente e delicatamente il pulsante di prelievo fino al primo stop (fig. 2C). Aspettare un secondo.
- Premere il pulsante di prelievo fino al secondo stop per espellere i residui del liquido dal puntale (fig. 2D).
- Tenendo il pulsante schiacciato al massimo, togliere la pipetta spostando il puntale lungo la parete della provetta.
- Di seguito rilasciare completamente il pulsante di prelievo fino alla posizione iniziale (fig. 2E) ed espellere il puntale premendo il pulsante di espulsione (fig. 2F).

NOTA: sostituire il puntale con uno nuovo se si cambia il liquido da prelevare.

4 – RISCIAQUO

Pipettando i liquidi di densità superiore oppure la cui tensione superficiale è inferiore all'acqua (es. sieri o solventi organici), si deposita sulla parete interna del puntale uno strato di liquido. Questo strato può creare un errore di misurazione. Siccome il volume di questo strato rimane più o meno costante nel corso delle successive operazioni di pipettaggio con lo stesso puntale, si può evitare l'errore formando lo strato prima della prima operazione. Per fare questo bisogna effettuare un ciclo completo di pipettaggio (aspirazione – dispensazione) del liquido nello stesso recipiente. Dopo tale procedimento lo strato di liquido rimane nel puntale, assicurando una migliore precisione e riproducibilità delle operazioni successive.

Questa pre-operazione deve essere ripetuta quando si modifica il volume di aspirazione o quando si cambia puntale.

5 – PRELIEVO DI LIQUIDO MOLTO DENSO E VISCOSO

I valori di precisione e riproducibilità, indicati nella tabella sono stati determinati pipettando acqua distillata. Quando si procede alle operazioni di pipettaggio di liquidi aventi le caratteristiche fisiche come densità, viscosità o tensione superficiale molto diverse dalle caratteristiche dell'acqua, può risultare necessaria una compensazione dei valori di volume. Di solito l'errore risultante dalla densità o viscosità del liquido viene omesso se l'operazione viene effettuata lentamente e con prudenza. E molto importante procedere lentamente, affinché il liquido possa seguire le variazioni della pressione. Per far questo bisogna, ogni volta, aspettare almeno 2 secondi dopo il prelievo e l'erogazione di liquido senza cambiare la posizione della pipetta.

In casi particolari, quando questo metodo non assicura l'ottenimento di risultati precisi, bisogna:

- regolare il volume del liquido da prelevare con la manopola e prelevare il liquido
- pesare il volume prelevato del liquido
- calcolare il valore del nuovo volume secondo la seguente formula:

$$\text{Nuovo valore} = 2 \times \text{valore nominale (volume da prelevare)} \frac{m}{\gamma}$$

m – massa del liquido prelevato nel primo pipettaggio
 γ – densità del liquido prelevato

Per evitare eventuali errori bisogna ripetere questo schema. Si può registrare il valore della correzione – ossia della differenza tra il valore del volume regolato sulla pipetta e il volume effettivamente prelevato per utilizzarlo durante il successivo pipettaggio dello stesso liquido.

6 – PUNTALI PER LE PIPETTE

I puntali sono realizzati in polipropilene di ottima qualità in un processo controllato. Tale qualità garantisce la compatibilità con le pipette ed assicura un prelievo di liquidi preciso e riproducibile.

L'utilizzo di puntali di qualità inferiore può comportare il peggioramento della precisione e della riproducibilità del prelievo.

Puntali 10

Puntali destinati a prelevare i volumi da 0.1 µl a 10 µl. Utilizzati per le pipette tipo AP2, AP10, AP8-10 a AP12-10.

Puntali 200

Puntali destinati a prelevare i volumi da 2 µl a 200 µl.

Utilizzati per le pipette tipo AP20, AP50, AP100, AP200, AP8-50, AP12-50, AP8-200 a AP12-200.

Puntali 300

Puntali destinati a prelevare i volumi da 50 µl a 300 µl. Utilizzati per le pipette tipo AP250, AP8-300 a AP12-300.

Puntali 1000

Puntali destinati a prelevare i volumi da 100 µl a 1,000 µl. Utilizzati per le pipette tipo AP1000.

Puntali 5000

Puntali destinati a prelevare i volumi da 500 µl a 5,000 µl. Utilizzati per le pipette tipo AP5000.

Puntali 10000

Puntali destinati a prelevare i volumi da 1,000 a 10,000 µl. Utilizzati per le pipette tipo AP10000.

7 - RACCOMANDAZIONI

Il rispetto delle raccomandazioni sotto elencate assicura un prelievo di liquido preciso e riproducibile.

- Il pulsante di prelievo deve essere manipolato lentamente e con movimento agile.
- La profondità d'immersione del puntale nel liquido prelevato deve essere costante e possibilmente piccola.
- Mantenere la pipetta in posizione verticale.
- Bisogna sostituire il puntale se cambia il liquido da pipettare o il volume.
- Bisogna sostituire il puntale se vi rimangono gocce di liquido visibili.
- Tutti i puntali nuovi devono essere avvinati.
- Il liquido prelevato non deve mai entrare all'interno del gambo della pipetta. Per assicurare questo:
 - premere ed allentare il pulsante di prelievo lentamente e con movimento agile.
 - non posare mai la pipetta quando nel puntale rimane il liquido.
 - non capovolgere la pipetta.
- Non regolare mai volumi oltre i valori nominali.
- Prima di pipettare liquidi ad una temperatura diversa dalla temperatura ambiente, si raccomanda di sciacquare il puntale più volte con il liquido prelevato.
- Non prelevare liquidi ad una temperatura superiore a 70°C.

- Terminato il prelievo di acidi e soluzioni aggressive si comanda di svitare il gambo della pipetta e di sciacquarne lo stantuffo, la guarnizione e il gambo con acqua distillata.

8 – RICALIBRAZIONE

Le pipette Assist sono calibrate con metodo gravimetrico, utilizzando puntali e acqua distillata, a temperatura $20 \pm 1^\circ\text{C}$ in base alla norma EN ISO 8655.

Se nel corso di questa operazione si verifica che l'errore di precisione (la differenza tra il volume prelevato effettivamente e il volume impostato) supera il valore di tolleranza ammissibile nella tabella riportata nella sezione 1, bisogna ricalibrare la pipetta.

Prima di iniziare la ricalibrazione bisogna controllare se alla determinazione dell'errore sono state soddisfatte le seguenti condizioni:

- temperatura ambiente, temperatura della pipetta, dei puntali e dell'acqua erano identiche
- la densità del liquido usato era simile a quella dell'acqua distillata
- è stata usata una bilancia a sensibilità adeguata

Volume controllato [µl]	Sensibilità della bilancia [mg]
0.1 - 10	≤0.001
10 - 100	≤0.01
>100	≤0.1

- si è tenuto conto del fattore di conversione mg/µl
- sono state soddisfatti i requisiti di cui alle sezioni 3 e 7

Qualora tutte queste condizioni siano rispettate e l'errore di precisione per il volume impostato, riportato nella sezione 1 supera il valore ammissibile, bisogna procedere alla ricalibrazione della pipetta.

La ricalibrazione può essere effettuata con un solo giro completo dello strumento di calibrazione, a destra o a sinistra.

Condizioni di ricalibrazione:

- Temperatura ambiente, temperatura della pipetta, del puntale e del liquido deve rimanere nell'intervallo di 20-25°C e deve essere stabilizzata nel corso della pesatura nei limiti di $\pm 0.5^\circ\text{C}$.
- Le misurazioni devono essere effettuate usando l'acqua distillata.

- La sensibilità della bilancia deve essere adeguata al volume controllato.

Modo di procedere alla ricalibrazione:

- Impostare il volume della dose in funzione alla capacità della pipetta secondo la seguente tabella:

Le singole pipette di canale

Modello	Range volumetrico della pipetta [µl]	Volume impostato [µl]	Valori ammissibili [µl]	Variazione di volume al giro completo dello strumento di calibrazione [µl]
AP2	0.1 - 2	0.2	0.176 - 0.224	0.06
AP10	0.5 - 10	0.5	0.48 - 0.52	0.33
AP20	2 - 20	2	1.94 - 2.06	0.63
AP50	5 - 50	5	4.875 - 5.125	2.50
AP100	10 - 100	10	9.84 - 10.16	2.50
AP200	20 - 200	20	19.76 - 20.24	6.30
AP250	50 - 250	50	49.5 - 50.5	6.30
AP1000	100 - 1000	100	98.4 - 101.6	25.00
AP5000	500 - 5,000	500	494 - 506	125.00
AP10000	1,000 - 10,000	1,000	975 - 1,025	250.00

Le pipette multicanale

Modello	Range volumetrico della pipetta [µl]	Volume impostato [µl]	Valori ammissibili [µl]	Variazione di volume al giro completo dello strumento di calibrazione [µl]
AP8-10 AP12-10	0.5 - 10	0.5	0.45 - 0.55	0.33
AP8-50 AP12-50	5 - 50	5	4.8 - 5.2	1.67
AP8-200 AP12-200	20 - 200	20	19.4 - 20.6	6.30
AP8-300 AP12-300	50 - 300	50	49.2 - 50.8	10.00

- Effettuare 5 prelievi, pesandoli tutte le volte e calcolandone il valore.
- Effettuare 3 serie di aspirazioni (ogni serie deve includere aspirazioni da tutti i canali), pesare e calcolare il valore medio di queste aspirazioni.
- Calcolare il volume medio prelevato in µl, moltiplicando il valore medio di prelievi [mg] per il coefficiente di densità

dell'acqua distillata [µl/mg], che dipende dalla temperatura e dalla pressione secondo la seguente tabella:

Temperatura [°C]	Pressione [kPa]		
	95.0	101.3	105.0
20	1.0028	1.0029	1.0029
21	1.0030	1.0031	1.0031
22	1.0032	1.0033	1.0033
23	1.0034	1.0035	1.0036
24	1.0037	1.0038	1.0038
25	1.0039	1.0040	1.0040

Se il volume medio prelevato supera i valori ammissibili, bisogna:

- Togliere il pulsante di prelievo (fig. 4A),

Nota: Il pulsante di prelievo è composto di due parti: manopola (fig. 1A2) e pulsante (fig. 1A1). Dopo aver tolto il pulsante, le due parti rimangono distaccate.

- Tenendo il pulsante di regolazione del volume, per evitare rotazione, inserire lo strumento di calibrazione nei piccoli canali della vite di calibrazione (fig. 4B).
- Girare lo strumento di calibrazione in senso orario per ridurre il volume prelevato oppure in senso antiorario per aumentare il volume. Un giro completo dello strumento di calibrazione cambia il volume prelevato della pipetta di valori indicati nella tabella (fig. 4C).
- Togliere lo strumento di calibrazione e mettere il pulsante di prelievo (fig. 4D). Montare il pulsante di prelievo mettendo sul gambo prima la manopola (fig. 1A1) e di seguito il pulsante (fig. 1A2).

Impostare il volume medio di prelievo. Il volume medio deve essere compreso nell'intervallo dei valori ammissibili riportati nella tabella. Se tale volume supera i valori riportati nella tabella, bisogna ripetere la procedura di ricalibrazione.

Nel caso di pipettaggio di liquidi dalle caratteristiche fisiche molto diverse da quelle dell'acqua, bisogna procedere secondo le istruzioni della sezione 5.

9 – RISOLUZIONE DEI PROBLEMI

In caso di scorretto funzionamento della pipetta bisogna verificarne la causa ed eliminare l'anomalia seguendo la sequenza riportata nelle istruzioni.

La sostituzione delle parti della pipetta deve essere considerata come soluzione definitiva, che non dovrebbe accadere, se la pipetta viene usata correttamente.

Nel puntale rimangono le gocce di liquido.

- Il puntale è svuotato troppo velocemente.
Ridurre la velocità di pressione del pulsante di pipettaggio.
- Il puntale è troppo bagnato a causa del frequente uso.
Sostituire il puntale.

Nel liquido prelevato nel puntale appaiono le bolle d'aria.

- La profondità di immersione è troppo poca.
Immergere il puntale secondo le istruzioni.
- Il puntale risulta appena premuto sul gambo della pipetta.
Premere più forte.
- Il puntale è rotto o usato più volte.
Sostituire il puntale.

La pipetta preleva scorrettamente oppure il liquido fuoriesce dal puntale.

- Il puntale è appena premuto sul gambo della pipetta.
Premere più forte.
- Il dado di fissaggio del gambo risulta svitato (fig. 3F).
Avvitare il dado di fissaggio.
- La superficie di guarnizione del gambo risulta rotta o danneggiata.
Togliere l'espulsore, svitare il dado, controllare il gambo e lo stantuffo. Sostituire le parti difettose (vedi sezione 12), montare la pipetta stringendo il dado.
Nelle pipette PP10 e PP20 il danno al dado può portare al danneggiamento dello stantuffo. Sostituire le parti difettose (vedi sezione 12), montare la pipetta stringendo bene il dado.
- Danneggiamento dello stantuffo o della guarnizione della pipetta causato da un pipettaggio prolungato di liquidi aggressivi.
Smontare la pipetta come sopra. Sostituire lo stantuffo, la guarnizione e l'O-ring (vedi la sezione 12). Lavare l'interno del gambo con l'acqua distillata e asciugare. Lubrificare la guarnizione e l'O-ring con il grasso in dotazione ad ogni pipetta. La sostituzione dello stantuffo richiede la procedura di ricalibrazione della pipetta. Nella pipetta PP10 bisogna badare che gli elementi lubrificati siano coperti in modo omogeneo con un minimo strato del lubrificante.
- Irregolare montaggio della pipetta.
Smontare la pipetta e rimontarla rispettando l'ordine di montaggio corretto (fig. 3).
- Manca il lubrificante sugli elementi di guarnizione.

Togliere l'espulsore. Svitare il dado di fissaggio del gambo. Togliere il gambo, lo stantuffo, la guarnizione e l'O-ring. Lavare i pezzi tolti con l'acqua distillata e asciugarli. Lubrificare le superfici interne della guarnizione e dell'O-ring con un fine strato del lubrificante in dotazione ad ogni pipetta. Ri-assemblare la pipetta.

- Contaminazione dell'interno della pipetta causata da un pipettaggio prolungato di liquidi aggressivi chimicamente oppure dalla penetrazione di liquidi.
Togliere l'espulsore. Svitare il dado di fissaggio del gambo. Togliere il gambo, lo stantuffo, la guarnizione e l'O-ring. Lavare i pezzi tolti con l'acqua distillata e asciugarli. Lubrificare le superfici interne della guarnizione e dell'O-ring con il lubrificante in dotazione ad ogni pipetta. Ri-assemblare la pipetta.

Aumento della forza di pipettaggio, verificatosi dopo più autoclavaggi della pipetta.

Togliere l'espulsore. Svitare il dado di fissaggio del gambo. Togliere il gambo, il gruppo stantuffo, la guarnizione e l'O-ring. Lavare i pezzi tolti con l'acqua distillata e asciugarli. Lubrificare le superfici interne della guarnizione e dell'O-ring con il lubrificante in dotazione. Ri-assemblare la pipetta.

Nota: Tutte le parti della pipetta si possono autoclavare a 121°C per 20 minuti a 1bar di pressione. Vedi sezione 10.

Il manico e le parti esterne della pipetta possono essere pulite utilizzando un panno imbevuto di isopropanolo.

Se la realizzazione delle operazioni sopraelencate non porta all'eliminazione dell'irregolare funzionamento della pipetta, rispettare la pipetta all'assistenza tecnica. Prima di spedire la pipetta, assicurarsi che la pipetta non sia stata contaminata da agenti chimici aggressivi, radioattivi o microbiologici che potrebbero costituire un rischio durante il trasporto o la riparazione. Pulire la pipetta.

10 – PULIZIA E STERILIZZAZIONE

Pulizia:

Le parti esterne del pulsante di pipettaggio, del pulsante dell'espulsore, del manico e della ghiera di regolazione del volume si possono lavare con un panno imbevuto di isopropanolo. Le altre parti, tolte dalla pipetta durante lo smontaggio si possono lavare con l'acqua distillata o con isopropanolo.

Nota:

Prima di utilizzare detergenti diversi da quelli raccomandati dal costruttore, controllare le tabelle di compatibilità delle materie plastiche, che sono fatti gli elementi della pipetta: PP, PC, POM, PA, PPS, PVDF.

Sterilizzazione:

L'intera pipetta può essere autoclavata alla temperatura di 121°C per 20 minuti. Dopo la sterilizzazione la pipetta deve essere asciugata e raffreddata a temperatura ambiente.

Raccomandazioni:

- sterilizzazione delle pipette nell'autoclave nel ciclo a vuoto preliminare ed asciugatura
- prima di autoclavare, svitare leggermente il dado di fissaggio del gambo della pipetta PP1000. Dopo la sterilizzazione riavvitare tutte le parti.

La precisione dei risultati non viene alterata se il processo di pipettaggio e di autoclavazione sono effettuate come riportato nel manuale. Dato che si può presentare una leggera variazione della precisione, si raccomanda:

- ricalibrazione della pipetta dopo il primo, terzo e quinto ciclo di autolavaggio e dopo ogni 10 cicli di autoclavaggio.

Il pipettatore è resistente all'azione dei raggi UV, il che è stato confermato dai nostri test. La distanza consigliata dalla fonte di radiazione al corpo irradiato dovrebbe essere di almeno 50 cm. La radiazione prolungata e troppo intensa può causare dei leggeri cambiamenti estetici degli elementi colorati, senza però influire sui parametri del pipettatore.

11 – PIPETTA ED ACCESSORI

Pipette kit:

Le pipette vengono fornite in seguenti kit:

- Pipetta
- Manuale d'istruzione
- Strumento di calibrazione
- Distanziatori di regolazione lunghezza di espulsione (per i modelli delle pipette AP2 per AP1000)
- Tappo di espulsione (per i modelli delle pipette AP2, AP10, AP5000, AP10000)
- Filtri (per i modelli pipetta AP5000, AP10000)
- Lubrificante
- Anello di identificazione a colori

Accessories:

Descrizione	N. di catalogo
Supporto carosello	BS-010522
Supporto Multiplo	BS-010523
Supporto 1-posizione	BS-010524
Supporto 4 posizioni	BS-010525

12 – PARTI DI RICAMBIO

Le parti di ricambio per le pipette Assist sono rappresentate nelle figure 1,3,4:

- A: Pulsante di prelievo A1: Pulsante A2: Manopola
- B: Manopola di regolazione del volume
- C: Gambo
- D: Espulsore
- F: Dado di fissaggio del gambo
- G: Stantuffo
- H: Distanziatore
- I: O-ring
- J: Guarnizione
- K: Strumento di calibrazione
- N: Pulsante dell'espulsore
- P: Anello di identificazione

Per ordinare le parti di ricambio per le pipette, specificare il tipo di pipetta, il suo numero di catalogo, numero di serie e la denominazione della parte di ricambio.

Per trovare il centro di assistenza più vicino e per il supporto tecnico, visitare <http://www.biosan.lv>

ATTENZIONE: La sostituzione dello stantuffo richiede la messa in atto della procedura di ricalibrazione secondo la sezione 8.

Tutti i diritti riservati. I prodotti descritti nel presente manuale sono accessibili nella quantità limitata e sono sottoposti alle modifiche di natura tecnica. Sono ammessi degli sbagli.

BIOSAN si riserva il diritto di migliorare, perfezionare o modificare i suoi prodotti senza un preavviso.

СОДЕРЖАНИЕ

- 1 – ВВЕДЕНИЕ
- 2 – ВЫБОР И УСТАНОВКА ОБЪЁМА
- 3 – ЗАБОР И ДОЗИРОВАНИЕ ЖИДКОСТИ
- 4 – ПРОМЫВКА
- 5 – ЗАБОР ЖИДКОСТИ С ПОВЫШЕННОЙ
ВЯЗКОСТЬЮ
- 6 – НАКОНЕЧНИКИ
- 7 – УКАЗАНИЯ ПО ЭКСПЛУАТАЦИИ
- 8 – КАЛИБРОВКА
- 9 – ВОЗМОЖНЫЕ НЕИСПРАВНОСТИ
И ИХ УСТРАНЕНИЕ
- 10 – ОЧИСТКА И СТЕРИЛИЗАЦИЯ
- 11 – КОМПЛЕКТАЦИЯ И АКСЕССУАРЫ
- 12 – ЗАПАСНЫЕ ЧАСТИ

1 – ВВЕДЕНИЕ

Assist - это серия (10 моделей) автоматических одноканальных дозаторов переменного объема для дозирования жидкости в диапазоне от 0,1 до 10000 мкл в зависимости от модели.

Установленный объем визуально отражается в окне аналоговой индикации объем на боковой поверхности дозатора Assist. Изменение объема достигается вращением в нужном направлении либо нижней части кнопки дозирования - диска (рис. 1A2), либо регулятора объема (рис. 1B).

Жидкость набирается только при закрепленном на дозаторе наконечнике. Однократное употребление наконечников гарантирует безопасность и исключает возможность загрязнения набираемой жидкости.

Сбрасывание наконечников облегчает сбрасыватель, вмонтированный в дозатор. Применение сбрасывателя позволяет избежать контакта с загрязненным наконечником.

Сбрасыватель наконечников можно снять с дозатора, облегчая таким образом набор жидкости из глубоких пробирок с малым диаметром. Дизайн сбрасывателя позволяет изменять его длину, что дает возможность использовать в работе большой ассортимент наконечников.

Эжектор в одноканальных пипетках

Регулирование длины сбрасывателя наконечника.

- в дозаторах с диапазоном объема 2-1000 мкл (рис. 5A)

Прилагаемые к дозатору пластмассовые втулки регуляторы "Н" позволяют изменять длину сбрасывателя на +1 мм или +2 мм. Внешняя форма втулки позволяет идентифицировать величину изменения.

- в дозаторах с диапазоном объема 5000 и 10000 мкл (рис. 5B)

Регулировка длины сбрасывателя выполняется путем ввинчивания или вывинчивания стержня сбрасывателя отверткой. Для удлинения сбрасывателя следует поворачивать отвертку против часовой стрелки, а для сокращения длины сбрасывателя - поворачивать отвертку по часовой стрелке. Пределы такой регулировки составляют 5 мм.

Если вышеописанный метод настройки сбрасывателя оказался недостаточным, или диаметр отверстия сбрасывателя слишком велик для того, чтобы сбросить наконечник, необходимо надеть на сбрасыватель насадку "М", (рис. 5C).

- В дозаторах с диапазоном объема 2-100 мкл (рис. 5D)

Дозаторы в диапазоне 2 мкл - 10 мкл могут требовать применения насадки "М" для эффективного сбрасывания наконечников, поставляемых на рынок различными поставщиками. Насадку, которая находится к комплекте с дозатором, следует надеть на кончик сбрасывателя со стороны конца штока таким образом, чтобы насадка охватывала сбрасыватель.

Эжектор в многоканальных пипетках

Конструкция пипеток позволяет изменить положение многоканального модуля наконечников в диапазоне 360°, что позволяет выбрать наиболее удобное положение для заполнения микропланшетов. Рекомендуется, поворачивать модуль по часовой стрелке. Диапазон хода эжектора позволяет избежать необходимости регулировки.

Пипетки **Assist** - приборы высокого качества, обеспечивающие надежность и высокую точность дозирования.

Погрешность и воспроизводимости дозирования жидкости зависят от качества применяемых наконечников. Допуски погрешности приведены в таблице и определены при помощи наконечников совместимый. Только эти наконечники гарантируют точность при работе с дозаторами, а также обеспечивают воспроизводимость дозирования жидкости.

Технические параметры

Одноканальные пипетки

Модель дозатора	Объем [мкл]	Погрешность [%]	Ошибка воспроизводимости [%]
AP2		± 12.0	± 6.0
	1.0	± 2.7	± 1.3
	Макс. 2.0	± 1.5	± 0.7
AP10	Мин.	± 4.0	± 2.8
	5.0	± 1.0	± 0.6
	Макс. 10.0	± 0.5	± 0.4
AP20	Мин.	± 3.0	± 1.5
	10	± 1.0	± 0.5
	Макс. 20	± 0.8	± 0.3
AP50	Мин.	± 2.5	± 2.0
	25	± 1.0	± 0.6
	Макс. 50	± 0.8	± 0.4
AP100	Мин.	± 1.6	± 0.80
	50	± 0.8	± 0.24
	Макс. 100	± 0.8	± 0.20

Модель дозатора	Объём [мкл]	Погрешность [%]	Ошибка воспроизводимости [%]
AP200	Мин. 20	± 1.2	± 0.60
	100	± 0.8	± 0.25
	Макс. 200	± 0.6	± 0.20
AP250	Мин. 50	± 1.0	± 0.4
	125	± 0.8	± 0.3
	Макс. 250	± 0.6	± 0.3
AP1000	Мин. 100	± 1.6	± 0.40
	500	± 0.7	± 0.20
	Макс. 1,000	± 0.6	± 0.15
AP5000	Мин. 500	± 1.2	± 0.50
	2,500	± 0.6	± 0.20
	Макс. 5,000	± 0.5	± 0.15
AP10000	Мин. 1,000	± 2.5	± 0.6
	5000	± 0.8	± 0.3
	Макс. 10,000	± 0.5	± 0.2

Многоканальные пипетки

Модель дозатора	Объём [мкл]	Погрешность [%]	Ошибка воспроизводимости [%]
AP8-10 AP12-10	Мин. 0.5	±10.0	± 8.0
	5	±4.0	± 2.0
	Макс. 10	±2.0	± 1.2
AP8-50 AP12-50	Мин. 5	±4.0	± 2.5
	25	±3.0	± 1.2
	Макс. 50	±1.6	± 0.6
AP8-200 AP12-200	Мин. 20	±3.0	± 1.5
	100	±1.5	± 0.8
	Макс. 200	±1.0	± 0.6
AP8-300 AP12-300	Мин. 50	±1.6	± 1.5
	150	±1.2	± 1.0
	Макс. 300	±1.0	± 0.6

Погрешность и воспроизводимости были определены при использовании наконечников совместимый гравиметрическим методом по 10 отборам проб дистиллированной воды при температуре 20±1°C, в соответствии со стандартом EN ISO 8655.

Конструкция дозатора позволяет пользователю провести ее калибровку по инструкции, приведенной в разделе 8.

2 – УСТАНОВКА ОБЪЁМА

Для установки объёма применяется вращение диска кнопки дозирования (рис. 1A2) или регулятора объёма (рис. 1B) до тех пор, пока на аналоговом индикаторе

не появится соответствующее значение из трех цифр, которые следует считать сверху вниз. Дополнительно, на самом нижнем валике индикатора нанесена шкала, позволяющая установку точных и промежуточных значений объёма в минимальном диапазоне.

Примеры обозначения чёрных и красных цифр:

Одноканальные пипетки

Модель дозатора	Показания индикатора	Установленный объем	Погрешность			
AP2	<table border="1"><tr><td>1</td></tr><tr><td>2</td></tr><tr><td>5</td></tr></table>	1	2	5	1.25 µl	0.002 µl
1						
2						
5						
AP10	<table border="1"><tr><td>0</td></tr><tr><td>7</td></tr><tr><td>5</td></tr></table>	0	7	5	7.5 µl	0.02 µl
0						
7						
5						
AP20	<table border="1"><tr><td>1</td></tr><tr><td>2</td></tr><tr><td>5</td></tr></table>	1	2	5	12.5 µl	0.02 µl
1						
2						
5						
AP100	<table border="1"><tr><td>0</td></tr><tr><td>7</td></tr><tr><td>5</td></tr></table>	0	7	5	75 µl	0.2 µl
0						
7						
5						
AP200	<table border="1"><tr><td>1</td></tr><tr><td>2</td></tr><tr><td>5</td></tr></table>	1	2	5	125 µl	0.2 µl
1						
2						
5						
AP1000	<table border="1"><tr><td>0</td></tr><tr><td>7</td></tr><tr><td>5</td></tr></table>	0	7	5	0.75 ml	2 µl
0						
7						
5						
AP5000	<table border="1"><tr><td>1</td></tr><tr><td>2</td></tr><tr><td>5</td></tr></table>	1	2	5	1.25 ml	10 µl
1						
2						
5						
AP10000	<table border="1"><tr><td>0</td></tr><tr><td>7</td></tr><tr><td>5</td></tr></table>	0	7	5	7.5 ml	20 µl
0						
7						
5						

Многоканальные пипетки

Модель дозатора	Показания индикатора	Установленный объем	Погрешность			
AP8-10 AP12-10	<table border="1"><tr><td>0</td></tr><tr><td>3</td></tr><tr><td>5</td></tr></table>	0	3	5	3.5 µl	0.02 µl
0						
3						
5						
AP8-50 AP12-50	<table border="1"><tr><td>0</td></tr><tr><td>6</td></tr><tr><td>5</td></tr></table>	0	6	5	6.5 µl	0.10 µl
0						
6						
5						
AP8-200 AP12-200	<table border="1"><tr><td>0</td></tr><tr><td>8</td></tr><tr><td>5</td></tr></table>	0	8	5	85.0 µl	0.20 µl
0						
8						
5						

Модель дозатора	Показания индикатора	Установленный объем	Погрешность			
AP8-300 AP12-300	<table border="1" style="margin: auto;"> <tr><td style="padding: 2px;">2</td></tr> <tr><td style="padding: 2px;">5</td></tr> <tr><td style="padding: 2px;">0</td></tr> </table>	2	5	0	250.0 µl	1.0 µl
2						
5						
0						

Чтобы максимально точно установить объем, необходимо соблюдать следующее:

Для точной установки нужного объема необходимо поворачивать диск кнопки дозирования (рис. 1A2) или регулятор объема (рис. 1B) в направлении уменьшения показаний цифрового индикатора. Изменение установок объема возможно, когда ограничительное кольцо находится в нижнем положении (рис. 5A). После установки требуемого объема, ограничительное кольцо должно быть переведено в верхнее положение (рис. 5B).

- Если вам нужно установить меньший объем, медленно поверните диск кнопки или регулятор в сторону уменьшения объема до появления на индикаторе необходимого значения.

Убедитесь, что указатель установлен точно напротив соответствующего значения.

- Если вам нужно увеличить объем, поверните регулятор в сторону увеличения объема. После появления на индикаторе необходимого значения продолжайте поворачивать регулятор в том же направлении еще примерно на 1/3 оборота, а затем медленно поворачивайте регулятор в обратном направлении, таким образом уменьшая объем до появления на индикаторе необходимого значения. Убедитесь, что указатель установлен точно напротив соответствующего значения.

- При занижении нужного значения все действия нужно повторить.

После установки объема необходимо перевести ограничительное кольцо в верхнее положение, что заблокирует регулятор от случайного изменения объема.

3 – ЗАБОР И ДОЗИРОВАНИЕ ЖИДКОСТИ

Одноканальные пипетки

На посадочный конус дозатора нужно надеть наконечник. Выбор нужного наконечника для дозатора описан в разделе 6. Наконечник надевается на конус дозатора вращательным движением с одновременным прижиманием. Это обеспечивает герметическое соединение наконечника с дозатором.

Многоканальные пипетки

Насадить многоканальные модуль на соответствующие наконечники и слегка надавить так чтобы концы модуля вошли в наконечники на ~1,5 мм. Эластичная подвеска концов модуля обеспечит надлежащую плотность насадки. При насаживании модуль держать вертикально.

ВНИМАНИЕ: Нельзя производить забор жидкости дозатором без наконечника.

Забор жидкости.

Нажать кнопку дозирования до первого упора (рис. 2A). Удерживая дозатор вертикально, погрузить наконечник в дозируемую жидкость. Глубина погружения зависит от используемого наконечника и величины набираемого объема.

Модель дозатора	Глубина погружения [mm]
AP2	≤ 1
AP10	≤ 1
AP20, AP50, AP100	2 - 3
AP200, AP250, AP1000	2 - 3
AP5000	3 - 6
AP10000	5 - 7

Медленно и плавно отпустить кнопку дозирования, набирая жидкость в наконечник (рис. 2B). Подождать в течение секунды и вынуть наконечник. При погружении наконечника на более мелкую глубину, чем рекомендуемая, или при быстром освобождении кнопки дозирования/ сбрасывания может произойти засасывание воздуха в наконечник.

ВНИМАНИЕ: Не рекомендуется прикасаться к использованному наконечнику во избежания контаминации.

Дозирование жидкости.

Слегка наклонив дозатор (на 10–40°) нужно дотронуться наконечником до внутренней стенки сосуда. Затем медленно и плавно нажать кнопку до первого упора, что приводит к удалению жидкости. (рис. 2C). Подождать в течение секунды. Дожать кнопку дозатора до конца для удаления оставшейся жидкости. Удерживая кнопку дозирования, нажатой до упора, извлечь наконечник, перемещая его по стенке сосуда. Затем отпустить кнопку дозирования до первоначальной позиции и снять наконечник, нажав на кнопку сбрасывателя.

ВНИМАНИЕ: При смене набираемой жидкости необходимо заменить, для избежания контаминации.

Фильтры

В дозаторах AP5000 и AP10000 применен сменный фильтр, монтируемый в гнезде в нижней части корпуса (рис. 3L). Этот фильтр предохраняет от попадания набираемой жидкости внутрь посадочного конуса и тем самым предотвращает загрязнение внутренней полости конуса и плунжера. Применение фильтра имеет очень важное значение, особенно при заборе и дозировании больших объемов жидкости.

В случае, если фильтр намокнет при заборе жидкости, его необходимо заменить на новый.

4 – ПРОМЫВКА

При использовании дозатора для дозирования концентрированных кислот, щелочей, а также других едких жидкостей, слой этих жидкостей оседает на внутренней поверхности наконечников что может быть источником ошибок измерений. Так как объем слоёв остаётся примерно постоянным во время следующих работ с тем же самым наконечником, то ошибку можно устранить. Для этого нужно провести полный цикл набора и удаление жидкости в одном и том же сосуде. После такой процедуры слой жидкости будет находиться в наконечнике и обеспечит лучшую точность воспроизводимости в дальнейшей работе. Процедуру промывки необходимо повторить, если выбирается другой объем дозирования или используется новый наконечник.

5 – ЗАБОР ЖИДКОСТИ С ПОВЫШЕННОЙ ВЯЗКОСТЬЮ

Если вышеописанный метод в исключительных случаях не позволяет получить точных результатов, то нужно:

- Установить на дозаторе необходимый объем дозирования и произвести забор жидкости,
- Затем взвесить объем набранной жидкости,
- Затем вычислить новую величину установки следующим образом:

Новая установка = $2 \times \text{номинальная величина} \times \frac{m}{\gamma}$

m – масса жидкости при первом отборе

γ – вязкость жидкости

Вышеуказанный метод нужно повторить для устранения ошибок. Величину поправки, т.е. разницу между величиной объема, установленном на дозаторе, и действительно

набранным объемом, можно записать и использовать в дальнейшей работе с той же самой жидкостью.

6 – НАКОНЕЧНИКИ

Рекомендованные изготовлены из высококачественного полипропилена. Качество наконечников гарантирует правильную работу дозаторов Assist и обеспечивает точный и воспроизводимый забор жидкости. Погрешность воспроизводимости результатов работы дозаторов Assist были определены с использованием наконечников совместимый. Замена этих наконечников на наконечники других производителей может послужить причиной ухудшения точности работы дозаторов.

В зависимости от набираемого объема применяются следующие рекомендованные наконечники:

Наконечники 10

Применяются для забора и дозирования жидкостей объемом от 0,1 до 10 мкл. Предназначены для дозаторов AP2, AP10, AP8-10, AP12-10.

Наконечники 200

Применяются для забора и дозирования жидкостей объемом от 2 до 200 мкл. Предназначены для дозаторов AP20, AP50, AP100, AP200, AP8-50, AP12-50, AP8-200, AP12-200.

Наконечники 300

Применяются для забора и дозирования жидкостей объемом от 50 до 300 мкл. Предназначены для дозаторов AP250, AP8-300 и AP12-300.

Наконечники 1000

Применяются для забора и дозирования жидкостей объемом от 100 до 1000 мкл. Предназначены для дозаторов AP1000.

Наконечники 5000

Применяются для забора и дозирования жидкостей объемом от 500 до 5000 мкл. Предназначены для дозаторов AP5000.

Наконечники 10000

Применяются для забора и дозирования жидкостей объемом от 1000 до 10000 мкл. Предназначены для дозаторов AP10000.

7 – УКАЗАНИЯ ПО ЭКСПЛУАТАЦИИ

Соблюдение следующих правил гарантирует точный и воспроизводимый набор жидкости.

- Во время работы (набора и слива жидкости) нажимать и отпускать кнопку нужно медленно и плавно.
- Во время набора жидкости наконечник надо опускать в жидкость не глубоко и на постоянную глубину.
- Во время работы дозатор необходимо держать вертикально.
- При смене набираемой жидкости необходимо сменить наконечник.
- Если на стенках наконечника остаются капли жидкости, то наконечник нужно заменить.
- Каждый новый наконечник рекомендуется предварительно промыть пипетированием в той жидкости, которую необходимо набрать.
- Не допускается попадания жидкости внутрь посадочного конуса дозатора. Чтобы избежать этого, необходимо:
 - нажимать и отпускать кнопку дозирования медленно и плавно,
 - не класть дозатор с жидкостью, набранной в наконечник,
 - не переворачивать дозатор.
- Запрещено устанавливать объём за границами рекомендуемого диапазона.
- Перед забором жидкости, температура которой отличается от температуры окружающей среды рекомендуется несколько раз промыть наконечник пипетированием в этой жидкости.
- Не допускается забор жидкости, температура которой выше 70°C.
- После работы с кислотами или другими агрессивными жидкостями рекомендуется разобрать дозатор и промыть плунжер, уплотнитель и посадочный конус дистиллированной водой.

8 – КАЛИБРОВКА

Дозаторы BIOSAN калибруются гравиметрическим способом с применением рекомендуемых наконечников и дистиллированной воды, при температуре 20±1°C, в соответствии со стандартом EN ISO 8655.

Если в ходе применения дозатора оказывается, что погрешность (разница между фактически отбираемым и установленным объёмами) превышает допустимое значение, указанное в таблице в разделе 1, следует провести калибровку дозатора.

Прежде чем приступить к калибровке, необходимо проверить, соблюдались ли при определении ошибки следующие условия:

- температура окружающей среды, дозатора, наконечника и воды должна быть одинаковой,
- была ли плотность используемой жидкости близкой плотности дистиллированной воды,
- использовались ли весы с соответствующей чувствительностью,

Проверяемый объем [мл]	Чувствительность весов [мг]
0.1 - 10	≤0.001
10 - 100	≤0.01
>100	≤0.1

- был ли учтен пересчетный коэффициент мг/мл,
- удовлетворялись ли требования, приведенные в разделах 3 и 7.

Если вышеуказанные условия соблюдались, а ошибка точности для выбранного объёма, указанная в разделе 1, превышает допустимое значение, следует провести повторную калибровку дозатора.

Повторную калибровку можно производить только в диапазоне одного полного оборота ключа вправо или влево. Условия проведения калибровки:

- температура окружающей среды, дозатора, наконечника и жидкости должна находиться в пределах 20-25°C и быть стабильной в ходе взвешивания в пределах ±0,5°C,
- измерения следует производить с применением дистиллированной воды,
- чувствительность весов должна соответствовать проверяемому объёму.

Порядок проведения калибровки:

- установить объём для забора жидкости в зависимости от модели дозатора в соответствии со следующей таблицей.

Одноканальные пипетки

Модель дозатора	Диапазон объёма дозирования [мкл]	Устанавливаемый объём [мкл]	Допустимые значения [мкл]	Изменение объёма при полном обороте калибровочного ключа ΔV [мкл] (24 цены деления)
AP2	0.1 - 2	0.2	0.176 - 0.224	0.06
AP10	0.5 - 10	0.5	0.48 - 0.52	0.33
AP20	2 - 20	2	1.94 - 2.06	0.63
AP50	5 - 50	5	4.875 - 5.125	2.50
AP100	10 - 100	10	9.84 - 10.16	2.50
AP200	20 - 200	20	19.76 - 20.24	6.30
AP250	50 - 250	50	49.5 - 50.5	6.30
AP1000	100 - 1000	100	98.4 - 101.6	25.00
AP5000	500 - 5,000	500	494 - 506	125.00
AP10000	1,000 - 10,000	1,000	975 - 1,025	250.00

Многоканальные пипетки

Модель дозатора	Диапазон объёма дозирования [мкл]	Устанавливаемый объём [мкл]	Допустимые значения [мкл]	Изменение объёма при полном обороте калибровочного ключа ΔV [мкл] (24 цены деления)
AP8-10 AP12-10	0.5 - 10	0.5	0.45 - 0.55	0.33
AP8-50 AP12-50	5 - 50	5	4.8 - 5.2	1.67
AP8-200 AP12-200	20 - 200	20	19.4 - 20.6	6.30
AP8-300 AP12-300	50 - 300	50	49.2 - 50.8	10.00

- отобрать пять доз, взвешивая их каждый раз, и вычислить среднее значение.
- вычислить средний объём отбираемой дозы в мкл, умножая среднее значение [мг] на коэффициент плотности дистиллированной воды [мкл/мг], зависящий от температуры и давления согл. таблице.

Температура [°C]	Давление [кПа]		
	95.0	101.3	105.0
20	1.0028	1.0029	1.0029
21	1.0030	1.0031	1.0031
22	1.0032	1.0033	1.0033
23	1.0034	1.0035	1.0036
24	1.0037	1.0038	1.0038
25	1.0039	1.0040	1.0040

Если средний объём отбираемой дозы превышает допустимые значения, следует:

- снять кнопку дозирования, (рис. 4A),
Внимание: Кнопка дозирования состоит из двух частей: нижней части - диска (рис. 1A2) и самой кнопки. После снятия кнопки обе части разъединяются.
- придерживая кольцо установки объёма, не допуская его поворота, вставить калибровочный ключ в вырезы калибровочного винта, (рис. 4B),
- повернуть ключ по часовой стрелке для уменьшения отбираемой дозы или, наоборот, против часовой стрелки - для увеличения дозы. Один полный оборот калибровочного ключа изменяет объём отбираемой дозатором дозы на значения, указанные в таблице, (рис. 4C),
- вынуть калибровочный ключ и установить кнопку дозирования (рис. 4D). В целях монтажа кнопки дозирования необходимо вначале насадить диск на стержень дозатора (рис. 1A2), а затем кнопку (рис. 1A1).

Определить средний объём отбираемой дозы. Он должен укладываться в области допустимых значений, приведённых в таблице. Если этот объём превышает указанные значения, калибровку следует повторить.

В случае отмеривания жидкостей, которые по физическим свойствам значительно отличаются от воды, поступать в соответствии с указаниями раздела 5.

9 – ВОЗМОЖНЫЕ НЕИСПРАВНОСТИ И ИХ УСТРАНЕНИЕ

При обнаружении неправильной работы дозатора, установите причину и устраните неисправность. При этом следует поступать в порядке, указанном в инструкции. Замену элементов новыми нужно считать крайностью, которая не должна иметь места при правильной эксплуатации дозатора.

В наконечнике остаются капли жидкости.

- Слишком быстрое освобождение наконечника от жидкости.

Нажимайте кнопку дозирования медленнее.

- Повышенное смачивание наконечника, вызванное многократным употреблением.

Замените наконечник новым.

В набранной в наконечник жидкости появляются воздушные пузыри.

- Слишком мелкое погружение наконечника.

Погрузите наконечник глубже, в соответствии с инструкцией.

- Наконечник слабо закреплён на посадочном конусе дозатора.

Плотнее закрепите наконечник.

- Наконечник повреждён или многократно использовался.

Замените наконечник новым.

Дозатор неправильно набирает жидкость или жидкость вытекает из наконечника.

- Наконечник слабо закреплён на посадочном конусе дозатора.

Плотнее закрепите наконечник.

- Ослаблена гайка крепления конуса (рис. 3F) на моделях AP2 - AP1000.

Затяните гайку крепления конуса.

- Трещина или царапина на поверхности конуса.

Снимите сбрасыватель, открутите гайку крепления конуса, проверьте конус и плунжер. Замените повреждённые элементы (см. раздел 12), соберите дозатор, затянув гайку.

В дозаторах AP2, AP10 и AP20 повреждение конуса может повлечь за собой повреждение плунжера. Замените повреждённые детали (см. раздел 12), соберите дозатор, затянув гайку. Чтобы снять сбрасыватель у дозаторов AP5000 и AP10000, необходимо снять кнопку сбрасывателя (рис. 3N) и с помощью отвертки вывинтить сбрасыватель, вращая отвертку против часовой стрелки.

- Повреждение плунжера или прокладки дозатора, вызванное длительной работой с дозированием агрессивных жидкостей.

Разберите дозатор описанным выше способом. Поменяйте плунжер, прокладку и уплотнительное кольцо O-ринг (см. раздел 12). Вымойте внутреннюю часть дистиллированной водой и просушите. Уплотнительную прокладку и O-ринг смажьте смазкой, которая прилагается к каждому дозатору.

Смена плунжера требует повторной калибровки.

В дозаторах AP2, AP10 следует обратить внимание на то, чтобы смазываемые элементы были равномерно покрыты минимальным количеством смазки.

- Неправильная сборка дозатора.

Разберите дозатор и соберите его повторно, соблюдая правильную последовательность сборки (рис. 3).

- Отсутствие смазки на уплотнительных элементах.

Снимите сбрасыватель. Отвинтите гайку крепления конуса, изымите конус, плунжер, уплотнительную прокладку и O-ринг. Изъятые детали промойте дистиллированной водой и высушите.

Внутренние поверхности уплотнительной прокладки и O-ринга слегка смажьте смазкой, которая прилагается каждому дозатору. Соберите дозатор в обратной последовательности.

- Загрязнение внутренней части дозатора, вызванное длительным употреблением при работе с химически агрессивными жидкостями или при попадании жидкости в дозатор.

Снимите сбрасыватель, отвинтите гайку крепления конуса, изымите конус, плунжер, уплотнительную прокладку и O-ринг. Изъятые детали промойте дистиллированной водой и высушите. Внутренние поверхности уплотнительной прокладки и O-ринга слегка смажьте смазкой. Соберите дозатор снова.

Увеличение силы, необходимой для пипетирования/дозирования, которое может появиться после многократной стерилизации дозатора.

Отвинтите гайку крепления конуса, выньте конус, плунжер, уплотнительную прокладку и O-ринг. Изъятые детали промойте дистиллированной водой и высушите. Внутреннюю поверхность уплотнительной прокладки и O-ринга слегка смажьте смазкой. Соберите дозатор.

Внимание: Все детали дозатора можно стерилизовать (см. раздел 10).

Конусы дозаторов AP5000 и AP10000 нужно стерилизовать в автоклаве без фильтра.

Если выполнение вышеуказанных действий не приведёт к нормальной работе дозатора, необходимо направить дозатор в сервисный пункт Биосан.

Перед отправлением в сервисный пункт следет проверить дозатор на загрязнение химически агрессивными, радиоактивными, микробиологическими реагентами, которые могут представлять угрозу во время транспортировки и ремонта. По мере возможности очистить дозатор.

10 – ОЧИСТКА И СТЕРИЛИЗАЦИЯ

Очистка

Внешнюю поверхность кнопки пипетирования/дозирования, кнопки сбрасывателя, рукоятки и регулятора объёма рекомендуется очищать с помощью ткани или ватного тампона, смоченных изопропиловым спиртом. Остальные части, вынимаемые из дозатора в процессе демонтажа, можно мыть дистиллированной водой или изопропиловым спиртом.

Внимание:

Перед использованием иных чистящих средств отличных от рекомендованных производителем, проверить таблицу совместимости веществ, из которых изготовлены элементы пипетки: PP, PC, POM, PA, PPS, PVDF.

Стерилизация:

Дозатор необходимо стерилизовать в автоклаве при температуре 121°C в течении 20 минут. После стерилизации следует высушить и охладить дозатор до комнатной температуры.

Рекомендуется:

- Стерилизация дозаторов в автоклаве с циклом предварительного вакуумирования и последующего сушения.
- Перед стерилизацией рекомендуется слегка расслабить гайку, закрепляющую конус в дозаторах AP2 – AP1000, а в дозаторах AP5000 и AP10000 следует слегка отвинтить конус. После стерилизации детали необходимо завинтить и закрепить до упора.

При правильной эксплуатации и стерилизации точность и воспроизводимость получаемых результатов не изменяется. Поскольку может иметь место незначительное изменение точности дозирования, рекомендуется:

- проверять калибровку дозаторов после 1-ой, 3-ей и 5-ой стерилизации, а также после каждых 10-ти последующих циклов стерилизации в процессе дальнейшей эксплуатации.

Внимание: Конусы дозаторов AP5000 и AP10000 нужно стерилизовать в автоклаве без фильтра.

Пипетор устойчив к действию УФ лучей, что подтверждено нашими испытаниями. Рекомендованное расстояние от источника излучения до облучаемого элемента должно составлять не менее 50 см. Слишком длительное, интенсивное облучение может вызвать незначительные изменения внешнего вида цветных элементов, что не повлияет на характеристики пипетора.

11 – КОМПЛЕКТАЦИЯ И АКСЕССУАРЫ

Комплектация:

Дозаторы поставляются в комплекте:

- дозатор
- инструкция по обслуживанию
- калибровочный ключ
- регулировочные втулки сбрасывателя (для дозаторов AP2 - AP1000)
- насадка сбрасывателя (для дозаторов AP2, AP10, AP5000, AP10000)
- фильтры (для дозаторов AP5000, AP10000)
- смазка
- цветные идентификационные кольца

Аксессуары:

Описание	Номер каталога
Подставка карусель	BS-010522
Подставка многопозиционные	BS-010523
Подставка 1-местная	BS-010524
Подставка 4-местная	BS-010525

12 – ЗАПАСНЫЕ ЧАСТИ

Запасные части для дозаторов **Assist** показаны на рисунке 3, 4 и 5:

- A: Кнопка дозирования A1: Кнопка A2: Диск
- B: Регулятор объёма
- C: Посадочный конус
- D: Сбрасыватель
- F: Гайка, закрепляющая посадочный конус
- G: Агрегат плунжера
- H: Втулка
- I: O-ринг
- J: Уплотнитель
- K: Калибровочный ключ
- L: Фильтр
- M: Насадка сбрасывателя
- N: Кнопка сбрасывателя
- P: Идентификационное кольцо

При заказе запасных частей для дозатора необходимо определить модель дозатора, каталожный и серийный номер дозатора, а также указать название заказываемой части.

Контакты с местным офисом Assist можно установить с помощью Интернетсайта <http://www.biosan.lv>

Внимание: При замене плунжера необходимо провести калибровку в соответствии с разделом 8. местная.

Внимание: При замене плунжера необходимо провести калибровку в соответствии с разделом 8.

Все права защищены. Продукты, описанные в настоящей инструкции, доступны в ограниченном количестве и подлежат техническим изменениям. Ошибки допускаются.

BIOSAN оставляет за собой право на усовершенствование либо иного рода модификацию своих продуктов без предварительного уведомления.

BS/12/2016/IU

Biosan SIA

Ratsupites 7, build.2, Riga, LV-1067, Latvia
Phone: +371 67426137 Fax: +371 67428101
<http://www.biosan.lv>